



US008474255B2

(12) **United States Patent**  
**McBride et al.**

(10) **Patent No.:** **US 8,474,255 B2**  
(45) **Date of Patent:** **Jul. 2, 2013**

(54) **FORMING LIQUID SPRAYS IN COMPRESSED-GAS ENERGY STORAGE SYSTEMS FOR EFFECTIVE HEAT EXCHANGE**

(58) **Field of Classification Search**  
USPC ..... 60/407, 410, 412, 413, 415, 416, 60/508, 511, 512, 514, 659; 239/461-524; 91/34, 160, 166, 274, 285, 462; 417/403, 417/404

(75) Inventors: **Troy O. McBride**, Norwich, VT (US); **Alexander Bell**, Hanover, NH (US); **Benjamin R. Bollinger**, Windsor, VT (US); **Andrew Shang**, Lebanon, NH (US); **David Chmiel**, West Lebanon, NH (US); **Horst Richter**, Norwich, VT (US); **Patrick Magari**, Plainfield, NH (US); **Benjamin Cameron**, Hanover, NH (US)

See application file for complete search history.

(73) Assignee: **SustainX, Inc.**, Seabrook, NH (US)

(56) **References Cited**

(\*) Notice: Subject to any disclaimer, the term of this patent is extended or adjusted under 35 U.S.C. 154(b) by 180 days.

U.S. PATENT DOCUMENTS

114,297 A 5/1871 Ivens et al.  
224,081 A 2/1880 Eckart

(Continued)

FOREIGN PATENT DOCUMENTS

BE 898225 3/1984  
BE 1008885 8/1996

(Continued)

OTHER PUBLICATIONS

(21) Appl. No.: **13/105,986**

International Search Report and Written Opinion mailed May 25, 2011 for International Application No. PCT/US2010/027138, 12 pages.

(22) Filed: **May 12, 2011**

(65) **Prior Publication Data**

US 2011/0314803 A1 Dec. 29, 2011

(Continued)

**Related U.S. Application Data**

(63) Continuation-in-part of application No. 12/639,703, filed on Dec. 16, 2009, now Pat. No. 8,225,606, which

(Continued)

*Primary Examiner* — Kenneth Bomberg

*Assistant Examiner* — Christopher Jetton

(74) *Attorney, Agent, or Firm* — Bingham McCutchen LLP

(51) **Int. Cl.**

**F01K 21/04** (2006.01)

**F01B 29/00** (2006.01)

**F16D 31/02** (2006.01)

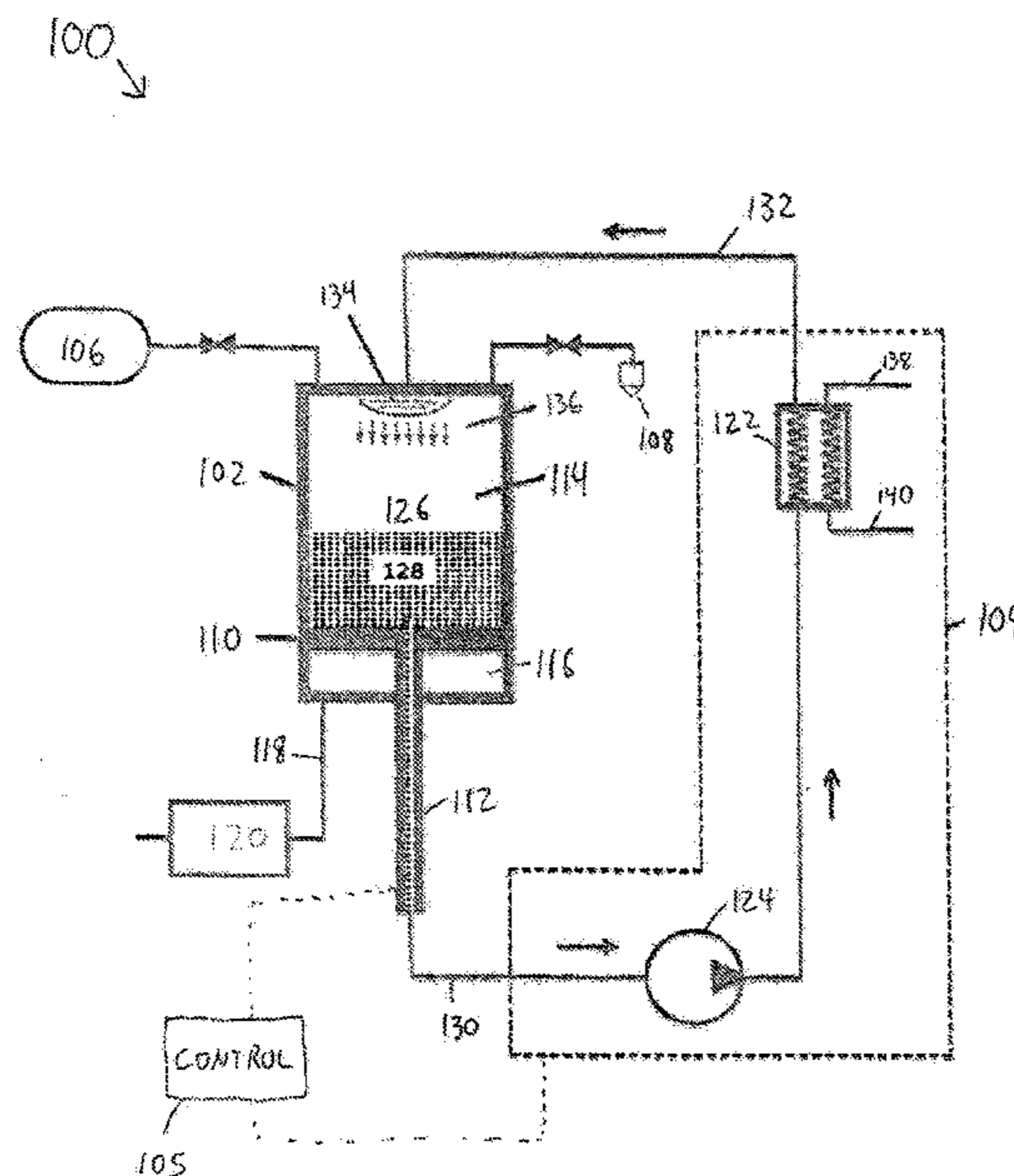
(57) **ABSTRACT**

In various embodiments, efficiency of energy storage and recovery systems compressing and expanding gas is improved via heat exchange between the gas and a heat-transfer fluid.

(52) **U.S. Cl.**

USPC ..... **60/511; 60/512; 60/408; 60/417**

**20 Claims, 24 Drawing Sheets**



**Related U.S. Application Data**

- (63) is a continuation-in-part of application No. 12/421,057, filed on Apr. 9, 2009, now Pat. No. 7,832,207, said application No. 11/639,703 is a continuation-in-part of application No. 12/481,235, filed on Jun. 9, 2009, now Pat. No. 7,802,426.
- (60) Provisional application No. 61/334,722, filed on May 14, 2010, provisional application No. 61/349,009, filed on May 27, 2010, provisional application No. 61/363,072, filed on Jul. 9, 2010, provisional application No. 61/393,725, filed on Oct. 15, 2010, provisional application No. 61/148,691, filed on Jan. 30, 2009, provisional application No. 61/043,630, filed on Apr. 9, 2008, provisional application No. 61/059,964, filed on Jun. 9, 2008, provisional application No. 61/166,448, filed on Apr. 3, 2009, provisional application No. 61/184,166, filed on Jun. 4, 2009, provisional application No. 61/223,564, filed on Jul. 7, 2009, provisional application No. 61/227,222, filed on Jul. 21, 2009, provisional application No. 61/251,965, filed on Oct. 15, 2009.

(56)

**References Cited**

U.S. PATENT DOCUMENTS

233,432 A	10/1880	Pitchford
1,353,216 A	9/1920	Carlson
1,635,524 A	7/1927	Aikman
1,681,280 A	8/1928	Bruckner
2,025,142 A	12/1935	Zahm et al.
2,042,991 A	6/1936	Harris, Jr.
2,141,703 A	12/1938	Bays
2,280,100 A	4/1942	SinQleton
2,280,845 A	4/1942	Parker
2,404,660 A	7/1946	Rouleau
2,420,098 A	5/1947	Rouleau
2,486,081 A	10/1949	Weenen
2,539,862 A	1/1951	Rushing
2,628,564 A	2/1953	Jacobs
2,632,995 A	3/1953	Noe
2,712,728 A	7/1955	Lewis et al.
2,813,398 A	11/1957	Wilcox
2,829,501 A *	4/1958	Walls ..... 60/659
2,880,759 A	4/1959	Wisman
3,041,842 A	7/1962	Heinecke
3,100,965 A	8/1963	Blackburn
3,236,512 A	2/1966	Caslav et al.
3,269,121 A	8/1966	Ludwig
3,538,340 A	11/1970	LanQ
3,608,311 A	9/1971	Roesel, Jr.
3,648,458 A	3/1972	McAlister
3,650,636 A	3/1972	Eskeli
3,672,160 A	6/1972	Kim
3,677,008 A	7/1972	Koutz
3,704,079 A	11/1972	Berlyn
3,757,517 A	9/1973	RiQollot
3,793,848 A	2/1974	Eskeli
3,801,793 A	4/1974	Goebel
3,803,847 A	4/1974	McAlister
3,839,863 A	10/1974	Frazier
3,847,182 A	11/1974	Greer
3,895,493 A	7/1975	Riqollot
3,903,696 A	9/1975	Carman
3,935,469 A	1/1976	Haydock
3,939,356 A	2/1976	Loane
3,942,323 A	3/1976	Maillet
3,945,207 A	3/1976	Hyatt
3,948,049 A	4/1976	Ohms et al.
3,952,516 A	4/1976	Lapp
3,952,723 A	4/1976	Browning
3,958,899 A	5/1976	Coleman, Jr. et al.
3,986,354 A	10/1976	Erb
3,988,592 A	10/1976	Porter

3,988,897 A	11/1976	Strub
3,990,246 A	11/1976	Wilmers
3,991,574 A	11/1976	Frazier
3,996,741 A	12/1976	Herberg
3,998,049 A	12/1976	McKinley et al.
3,999,388 A	12/1976	Nystrom
4,008,006 A	2/1977	Bea
4,027,993 A	6/1977	Wolff
4,030,303 A	6/1977	Kraus et al.
4,031,702 A	6/1977	Burnett et al.
4,031,704 A	6/1977	Moore et al.
4,041,708 A	8/1977	Wolff
4,050,246 A	9/1977	Bourquardez
4,055,950 A	11/1977	Grossman
4,058,979 A	11/1977	Germain
4,075,844 A	2/1978	Schiferli
4,089,744 A	5/1978	Cahn
4,094,356 A	6/1978	Ash et al.
4,095,118 A	6/1978	Rathbun
4,100,745 A	7/1978	Gyarmathy et al.
4,104,955 A	8/1978	Murphy
4,108,077 A	8/1978	Laing
4,109,465 A	8/1978	Plen
4,110,987 A	9/1978	Cahn et al.
4,112,311 A	9/1978	Theyse
4,117,342 A	9/1978	Melley, Jr.
4,117,696 A	10/1978	Fawcett et al.
4,118,637 A	10/1978	Tackett
4,124,182 A	11/1978	Loeb
4,126,000 A	11/1978	Funk
4,136,432 A	1/1979	Melley, Jr.
4,142,368 A	3/1979	Mantegani
4,147,204 A	4/1979	Pfenninger
4,149,092 A	4/1979	Cros
4,150,547 A	4/1979	Hobson
4,154,292 A	5/1979	Herrick
4,167,372 A	9/1979	Tackett
4,170,878 A	10/1979	Jahnig
4,173,431 A	11/1979	Smith
4,189,925 A	2/1980	Long
4,194,889 A	3/1980	Wanner
4,197,700 A	4/1980	Jahnig
4,197,715 A	4/1980	Fawcett et al.
4,201,514 A	5/1980	Huetter
4,204,126 A	5/1980	Diggs
4,206,608 A	6/1980	Bell
4,209,982 A	7/1980	Pitts
4,220,006 A	9/1980	Kindt
4,229,143 A	10/1980	Pucher
4,229,661 A	10/1980	Mead et al.
4,232,253 A	11/1980	Mortelmans
4,237,692 A	12/1980	Ahrens et al.
4,242,878 A	1/1981	Brinkerhoff
4,246,978 A	1/1981	Schulz et al.
4,262,735 A	4/1981	Courrege
4,273,514 A	6/1981	Shore et al.
4,274,010 A	6/1981	Lawson-tancred
4,275,310 A	6/1981	Summers et al.
4,281,256 A *	7/1981	Ahrens et al. .... 290/1 R
4,293,323 A	10/1981	Cohen
4,299,198 A	11/1981	Woodhull
4,302,684 A	11/1981	Gogins
4,304,103 A	12/1981	Hamrick
4,311,011 A	1/1982	Lewis
4,316,096 A	2/1982	Syverson
4,317,439 A	3/1982	Emmerling
4,335,867 A	6/1982	Bihlmaier
4,340,822 A	7/1982	Gregg
4,341,072 A	7/1982	Clyne
4,348,863 A	9/1982	Taylor et al.
4,353,214 A	10/1982	Gardner
4,354,420 A	10/1982	Bianchetta
4,355,956 A	10/1982	Ringrose et al.
4,358,250 A	11/1982	Payne
4,367,786 A	1/1983	Hafner et al.
4,368,692 A	1/1983	Kita
4,368,775 A	1/1983	Ward
4,370,559 A	1/1983	Langley, Jr.
4,372,114 A	2/1983	Burnham

# US 8,474,255 B2

4,375,387 A	3/1983	deFilippi et al.	5,133,190 A	7/1992	Abdelmalek
4,380,419 A	4/1983	Morton	5,138,838 A	8/1992	Crosser
4,392,062 A	7/1983	Bervig	5,140,170 A	8/1992	Henderson
4,393,752 A	7/1983	Meier	5,152,260 A	10/1992	Erickson et al.
4,411,136 A	10/1983	Funk	5,161,449 A	11/1992	Everett, Jr.
4,416,114 A	11/1983	Martini	5,169,295 A	12/1992	Stogner et al.
4,421,661 A	12/1983	Claar et al.	5,182,086 A	1/1993	Henderson et al.
4,428,711 A	1/1984	Archer	5,203,168 A	4/1993	Oshina
4,435,131 A	3/1984	Ruben	5,209,063 A	5/1993	Shirai et al.
4,444,011 A	4/1984	Kolin	5,213,470 A	5/1993	Lundquist
4,446,698 A	5/1984	Benson	5,239,833 A	8/1993	Fineblum
4,447,738 A	5/1984	Allison	5,259,345 A	11/1993	Richeson
4,449,372 A	5/1984	Rilett	5,271,225 A	12/1993	Adamides
4,452,046 A	6/1984	Valentin	5,279,206 A	1/1994	Krantz
4,452,047 A	6/1984	Hunt et al.	5,296,799 A	3/1994	Davis
4,454,429 A	6/1984	Buonome	5,309,713 A	5/1994	Vassallo
4,454,720 A	6/1984	Leibowitz	5,321,946 A	6/1994	Abdelmalek
4,455,834 A	6/1984	Earle	5,327,987 A	7/1994	Abdelmalek
4,462,213 A	7/1984	Lewis	5,339,633 A	8/1994	Fujii et al.
4,474,002 A	10/1984	Perry	5,341,644 A	8/1994	Nelson
4,476,851 A	10/1984	Brugger et al.	5,344,627 A	9/1994	Fujii et al.
4,478,553 A	10/1984	Leibowitz et al.	5,364,611 A	11/1994	Iijima et al.
4,489,554 A	12/1984	Otters	5,365,980 A	11/1994	Deberardinis
4,491,739 A	1/1985	Watson	5,375,417 A	12/1994	Barth
4,492,539 A	1/1985	Specht	5,379,589 A	1/1995	Cohn et al.
4,493,189 A	1/1985	Slater	5,384,489 A	1/1995	Bellac
4,496,847 A	1/1985	Parkins	5,387,089 A	2/1995	Stogner et al.
4,498,848 A	2/1985	Petrovsky	5,394,693 A	3/1995	Plyter
4,502,284 A	3/1985	Chrisoghilos	5,427,194 A	6/1995	Miller
4,503,673 A	3/1985	Schachle	5,436,508 A	7/1995	Sorensen
4,515,516 A	5/1985	Perrine et al.	5,448,889 A	9/1995	Bronicki
4,520,840 A	6/1985	Michel	5,454,408 A	10/1995	Dibella et al.
4,525,631 A	6/1985	Allison	5,454,426 A	10/1995	Moseley
4,530,208 A	7/1985	Sato	5,467,722 A	11/1995	Meratla
4,547,209 A	10/1985	Netzer	5,477,677 A	12/1995	Krnavek
4,574,592 A	3/1986	Eskeli	5,491,969 A	2/1996	Cohn et al.
4,585,039 A	4/1986	Hamilton	5,491,977 A	2/1996	Cho
4,589,475 A	5/1986	Jones	5,524,821 A	6/1996	Vie et al.
4,593,202 A	6/1986	Dickinson	5,537,822 A	7/1996	Shnaid et al.
4,619,225 A	10/1986	Lowther	5,544,698 A	8/1996	Paulman
4,624,623 A	11/1986	Wagner	5,557,934 A	9/1996	Beach
4,648,801 A	3/1987	Wilson	5,561,978 A	10/1996	Buschur
4,651,525 A	3/1987	Cestero	5,562,010 A	10/1996	McGuire
4,653,986 A	3/1987	Ashton	5,579,640 A	12/1996	Gray, Jr. et al.
4,671,742 A	6/1987	Gyimesi	5,584,664 A	12/1996	Elliott et al.
4,676,068 A	6/1987	Funk	5,592,028 A	1/1997	Pritchard
4,679,396 A	7/1987	Heggie	5,595,587 A *	1/1997	Steed ..... 96/27
4,691,524 A	9/1987	Holscher	5,598,736 A	2/1997	Erskine
4,693,080 A	9/1987	Van Hooff	5,599,172 A	2/1997	Mccabe
4,706,456 A	11/1987	Backe	5,600,953 A	2/1997	Oshita et al.
4,707,988 A	11/1987	Palmers	5,616,007 A	4/1997	Cohen
4,710,100 A	12/1987	Laing et al.	5,634,340 A	6/1997	Grennan
4,735,552 A	4/1988	Watson	5,641,273 A	6/1997	Moseley
4,739,620 A	4/1988	Pierce	5,674,053 A	10/1997	Paul et al.
4,760,697 A	8/1988	Heggie	5,685,154 A	11/1997	Bronicki et al.
4,761,118 A	8/1988	Zanarini et al.	5,685,155 A	11/1997	Brown
4,765,142 A	8/1988	Nakhamkin	5,768,893 A	6/1998	Hoshino et al.
4,765,143 A	8/1988	Crawford et al.	5,769,610 A	6/1998	Paul et al.
4,767,938 A	8/1988	Bervig	5,771,693 A	6/1998	Coney
4,792,700 A	12/1988	Ammons	5,775,107 A	7/1998	Sparkman
4,849,648 A	7/1989	Longardner	5,778,675 A	7/1998	Nakhamkin
4,870,816 A	10/1989	Nakhamkin	5,794,442 A	8/1998	Lisniansky
4,872,307 A	10/1989	Nakhamkin	5,797,980 A	8/1998	Fillet
4,873,828 A	10/1989	Laing et al.	5,819,533 A	10/1998	Moonen
4,873,831 A	10/1989	Dehne	5,819,635 A	10/1998	Moonen
4,876,992 A	10/1989	Sobotowski	5,831,757 A	11/1998	DiFrancesco
4,877,530 A	10/1989	Moses	5,832,728 A	11/1998	Buck
4,885,912 A	12/1989	Nakhamkin	5,832,906 A	11/1998	Douville et al.
4,886,534 A	12/1989	Castan	5,839,270 A	11/1998	Jirnov et al.
4,907,495 A	3/1990	Sugahara	5,845,479 A	12/1998	Nakhamkin
4,936,109 A	6/1990	Longardner	5,873,250 A	2/1999	Lewis
4,942,736 A	7/1990	Bronicki	5,901,809 A	5/1999	Berkun
4,947,977 A	8/1990	Raymond	5,924,283 A	7/1999	Burke, Jr.
4,955,195 A	9/1990	Jones et al.	5,934,063 A	8/1999	Nakhamkin
4,984,432 A	1/1991	Corey	5,934,076 A	8/1999	Coney
5,056,601 A	10/1991	Grimmer	5,937,652 A	8/1999	Abdelmalek
5,058,385 A	10/1991	Everett, Jr.	5,971,027 A	10/1999	Beachley et al.
5,062,498 A	11/1991	Tobias	6,012,279 A	1/2000	Hines
5,107,681 A	4/1992	Wolfbauer, III	6,023,105 A	2/2000	Youssef

# US 8,474,255 B2

6,026,349 A	2/2000	Heneman	6,857,450 B2	2/2005	Rupp
6,029,445 A	2/2000	Lech	6,874,453 B2	4/2005	Coney et al.
6,073,445 A	6/2000	Johnson	6,883,775 B2	4/2005	Coney et al.
6,073,448 A	6/2000	Lozada	6,886,326 B2	5/2005	Holtzapple et al.
6,085,520 A	7/2000	Kohno	6,892,802 B2	5/2005	Kelly et al.
6,090,186 A	7/2000	Spencer	6,900,556 B2	5/2005	Provanzana
6,119,802 A	9/2000	Puett, Jr.	6,922,991 B2	8/2005	Polcuch
6,132,181 A	10/2000	Mccabe	6,925,821 B2	8/2005	Sienel
6,145,311 A	11/2000	Cyphelly	6,927,503 B2	8/2005	Enish et al.
6,148,602 A	11/2000	Demetri	6,931,848 B2	8/2005	Maceda et al.
6,153,943 A	11/2000	Mistr, Jr.	6,935,096 B2	8/2005	Haiun
6,158,499 A	12/2000	Rhodes	6,938,415 B2	9/2005	Last
6,170,443 B1	1/2001	Hofbauer	6,938,654 B2	9/2005	Gershtein et al.
6,178,735 B1	1/2001	Frutschi	6,946,017 B2	9/2005	Leppin et al.
6,179,446 B1	1/2001	Sarmadi	6,948,328 B2	9/2005	Kidwell
6,188,182 B1	2/2001	Nickols et al.	6,952,058 B2	10/2005	Mccoin
6,202,707 B1	3/2001	Woodall et al.	6,959,546 B2	11/2005	Corcoran
6,206,660 B1 *	3/2001	Coney et al. .... 417/438	6,963,802 B2	11/2005	Enis
6,210,131 B1	4/2001	Whitehead	6,964,165 B2	11/2005	Uhl et al.
6,216,462 B1	4/2001	Gray, Jr.	6,964,176 B2	11/2005	Kidwell
6,225,706 B1	5/2001	Keller	6,974,307 B2	12/2005	Antoune et al.
6,276,123 B1	8/2001	Chen et al.	7,000,389 B2	2/2006	Lewellin
6,327,858 B1	12/2001	Negre et al.	7,007,474 B1	3/2006	Ochs et al.
6,327,994 B1	12/2001	Labrador	7,017,690 B2	3/2006	Burke
6,349,543 B1	2/2002	Lisniansky	7,028,934 B2	4/2006	Burynski, Jr.
RE37,603 E	3/2002	Coney	7,040,083 B2	5/2006	Horii et al.
6,352,576 B1	3/2002	Spencer et al.	7,040,108 B1	5/2006	Flammang
6,360,535 B1	3/2002	Fisher	7,040,859 B2	5/2006	Kane
6,367,570 B1	4/2002	Long, III	7,043,920 B2	5/2006	Viteri et al.
6,372,023 B1	4/2002	Kiyono et al.	7,047,744 B1	5/2006	Robertson et al.
6,389,814 B2	5/2002	Viteri et al.	7,055,325 B2	6/2006	Wolken
6,397,578 B2	6/2002	Tsukamoto	7,067,937 B2	6/2006	Enish et al.
6,401,458 B2	6/2002	Jacobson	7,075,189 B2	7/2006	Heronemus
6,407,465 B1	6/2002	Peltz et al.	RE39,249 E	8/2006	Link, Jr.
6,419,462 B1	7/2002	Horie et al.	7,084,520 B2	8/2006	Zambrano
6,422,016 B2	7/2002	Alkhamis	7,086,231 B2	8/2006	Pinkerton
6,453,659 B1 *	9/2002	Van Liere et al. .... 60/39.53	7,093,450 B2	8/2006	Jimenez Haertel et al.
6,478,289 B1	11/2002	Trewin	7,093,626 B2	8/2006	Li et al.
6,484,498 B1	11/2002	Bonar, II	7,098,552 B2	8/2006	Mccoin
6,512,966 B2	1/2003	Lof	7,107,766 B2	9/2006	Zacche' et al.
6,513,326 B1	2/2003	Maceda et al.	7,107,767 B2	9/2006	Frazer et al.
6,516,615 B1	2/2003	Stockhausen et al.	7,116,006 B2	10/2006	Mccoin
6,516,616 B2	2/2003	Carver	7,124,576 B2	10/2006	Cherney et al.
6,554,088 B2	4/2003	Severinsky et al.	7,124,586 B2	10/2006	Negre et al.
6,598,392 B2	7/2003	Majeres	7,127,895 B2	10/2006	Pinkerton et al.
6,598,402 B2	7/2003	Kataoka et al.	7,128,777 B2	10/2006	Spencer
6,606,860 B2	8/2003	McFarland	7,134,279 B2	11/2006	White
6,612,348 B1	9/2003	Wiley	7,155,912 B2	1/2007	Enis et al.
6,619,930 B2	9/2003	Jansen et al.	7,168,928 B1	1/2007	West
6,626,212 B2	9/2003	Morioka et al.	7,168,929 B2	1/2007	Sieqel et al.
6,629,413 B1	10/2003	Wendt et al.	7,169,489 B2	1/2007	Redmond
6,637,185 B2	10/2003	Hatamiva et al.	7,177,751 B2	2/2007	Froloff
6,652,241 B1	11/2003	Alder	7,178,337 B2	2/2007	Pflanz
6,652,243 B2	11/2003	Krasnov	7,191,603 B2	3/2007	Taube
6,666,024 B1	12/2003	Moskal	7,197,871 B2	4/2007	Yoshino
6,670,402 B1	12/2003	Lee et al.	7,201,095 B2	4/2007	Hughey
6,672,056 B2	1/2004	Roth et al.	7,218,009 B2	5/2007	Hendrickson et al.
6,675,765 B2	1/2004	Endoh	7,219,779 B2	5/2007	Bauer et al.
6,688,108 B1	2/2004	Van Liere	7,225,762 B2	6/2007	Mahlanen
6,698,472 B2	3/2004	Camacho et al.	7,228,690 B2	6/2007	Barker
6,711,984 B2	3/2004	Tagge et al.	7,230,348 B2	6/2007	Poole
6,712,166 B2	3/2004	Rush et al.	7,231,998 B1	6/2007	Schechter
6,715,514 B2	4/2004	Parker, III	7,240,812 B2	7/2007	Kamikozuru
6,718,761 B2	4/2004	Merswolke et al.	7,249,617 B2	7/2007	Musselman et al.
6,739,131 B1	5/2004	Kershaw	7,254,944 B1	8/2007	Goetzinger et al.
6,739,419 B2	5/2004	Jain et al.	7,273,122 B2	9/2007	Rose
6,745,569 B2	6/2004	Gerdes	7,281,371 B1	10/2007	Heidenreich
6,745,801 B1	6/2004	Cohen et al.	7,308,361 B2	12/2007	Enis et al.
6,748,737 B2	6/2004	Lafferty	7,317,261 B2	1/2008	Rolt
6,762,926 B1	7/2004	Shiue et al.	7,322,377 B2	1/2008	Baltes
6,786,245 B1	9/2004	Eichelberger	7,325,401 B1	2/2008	Kesseli et al.
6,789,387 B2	9/2004	Brinkman	7,328,575 B2	2/2008	Hedman
6,789,576 B2	9/2004	Umetsu et al.	7,329,099 B2	2/2008	Hartman
6,797,039 B2	9/2004	Spencer	7,347,049 B2	3/2008	Rajendran et al.
6,815,840 B1	11/2004	Aldendeshe	7,353,786 B2	4/2008	Scuderi et al.
6,817,185 B2	11/2004	Coney et al.	7,353,845 B2	4/2008	Underwood et al.
6,834,737 B2	12/2004	Bloxham	7,354,252 B2	4/2008	Baatrup et al.
6,840,309 B2	1/2005	Wilson et al.	7,364,410 B2	4/2008	Link, Jr.
6,848,259 B2	2/2005	Keller-sornig	7,392,871 B2	7/2008	Severinsky et al.

# US 8,474,255 B2

7,406,828	B1	8/2008	Nakhamkin	2006/0175337	A1	8/2006	Defosset	
7,407,501	B2	8/2008	Zvuloni	2006/0201148	A1	9/2006	Zabtcioqlu	
7,415,835	B2	8/2008	Cowans et al.	2006/0218924	A1*	10/2006	Mitani .....	60/659
7,415,995	B2	8/2008	Plummer et al.	2006/0248886	A1	11/2006	Ma	
7,417,331	B2	8/2008	De La Torre et al.	2006/0248892	A1	11/2006	Ingersoll	
7,418,820	B2	9/2008	Harvey et al.	2006/0254281	A1	11/2006	Badeer et al.	
7,436,086	B2	10/2008	Mcclintic	2006/0260311	A1	11/2006	Ingersoll	
7,441,399	B2	10/2008	Utamura	2006/0260312	A1	11/2006	Ingersoll	
7,448,213	B2	11/2008	Mitani	2006/0262465	A1	11/2006	Wiederhold	
7,453,164	B2	11/2008	Borden et al.	2006/0266034	A1	11/2006	Ingersoll	
7,469,527	B2	12/2008	Negre et al.	2006/0266035	A1	11/2006	Ingersoll et al.	
7,471,010	B1	12/2008	Fingersh	2006/0266036	A1	11/2006	Ingersoll	
7,481,337	B2	1/2009	Luharuka et al.	2006/0266037	A1	11/2006	Ingersoll	
7,488,159	B2	2/2009	Bhatt et al.	2006/0280993	A1	12/2006	Keefer et al.	
7,527,483	B1	5/2009	Glauber	2006/0283967	A1	12/2006	Cho et al.	
7,579,700	B1	8/2009	Meller	2007/0006586	A1	1/2007	Hoffman et al.	
7,603,970	B2	10/2009	Scuderi et al.	2007/0022754	A1	2/2007	Perkins et al.	
7,607,503	B1	10/2009	Schechter	2007/0022755	A1	2/2007	Pinkerton et al.	
7,693,402	B2	4/2010	Hudson et al.	2007/0062194	A1	3/2007	Ingersoll	
7,802,426	B2	9/2010	Bollinger	2007/0074533	A1	4/2007	Hugenroth et al.	
7,827,787	B2	11/2010	Cherney et al.	2007/0095069	A1	5/2007	Joshi et al.	
7,832,207	B2	11/2010	McBride et al.	2007/0113803	A1	5/2007	Froloff et al.	
7,843,076	B2	11/2010	Gogoana et al.	2007/0116572	A1	5/2007	Barbu et al.	
7,874,155	B2	1/2011	McBride et al.	2007/0137595	A1	6/2007	Greenwell	
7,900,444	B1	3/2011	McBride et al.	2007/0151528	A1	7/2007	Hedman	
7,958,731	B2	6/2011	McBride et al.	2007/0158946	A1	7/2007	Annen et al.	
7,963,110	B2	6/2011	Bollinger et al.	2007/0181199	A1	8/2007	Weber	
8,037,678	B2	10/2011	McBride et al.	2007/0182160	A1	8/2007	Enis et al.	
8,046,990	B2	11/2011	Bollinger et al.	2007/0205298	A1	9/2007	Harrison et al.	
8,104,274	B2	1/2012	McBride et al.	2007/0234749	A1	10/2007	Enis et al.	
8,109,085	B2	2/2012	McBride et al.	2007/0243066	A1	10/2007	Baron	
8,117,842	B2	2/2012	McBride et al.	2007/0245735	A1	10/2007	Ashikian	
8,122,718	B2	2/2012	McBride et al.	2007/0258834	A1	11/2007	Froloff et al.	
8,171,728	B2	5/2012	Bollinger et al.	2008/0000436	A1	1/2008	Goldman	
8,191,362	B2	6/2012	McBride et al.	2008/0016868	A1	1/2008	Ochs et al.	
8,225,606	B2	7/2012	McBride et al.	2008/0047272	A1	2/2008	Schoell	
8,234,862	B2	8/2012	McBride et al.	2008/0050234	A1	2/2008	Ingersoll et al.	
8,234,863	B2	8/2012	McBride et al.	2008/0072870	A1	3/2008	Chomyszak et al.	
8,234,868	B2	8/2012	Bollinger et al.	2008/0087165	A1	4/2008	Wright et al.	
8,240,140	B2	8/2012	McBride et al.	2008/0104939	A1	5/2008	Hoffmann et al.	
8,240,146	B1	8/2012	Bollinger	2008/0112807	A1	5/2008	Uphues et al.	
8,245,508	B2	8/2012	Bollinger et al.	2008/0127632	A1	6/2008	Finkenrath et al.	
8,250,863	B2	8/2012	Bollinger et al.	2008/0138265	A1	6/2008	Lackner et al.	
8,272,212	B2	9/2012	Blieske	2008/0155975	A1	7/2008	Brinkman	
2001/0045093	A1	11/2001	Jacobson	2008/0155976	A1	7/2008	Smith et al.	
2003/0131599	A1	7/2003	Gerdes	2008/0157528	A1	7/2008	Wang et al.	
2003/0145589	A1	8/2003	Tillyer	2008/0157537	A1	7/2008	Richard	
2003/0177767	A1	9/2003	Keller-sornig et al.	2008/0164449	A1	7/2008	Gray et al.	
2003/0180155	A1	9/2003	Coney et al.	2008/0185194	A1	8/2008	Leone	
2004/0050042	A1	3/2004	Frazer	2008/0202120	A1	8/2008	Karyambas	
2004/0050049	A1	3/2004	Wendt et al.	2008/0211230	A1	9/2008	Gurin	
2004/0146406	A1	7/2004	Last	2008/0228323	A1	9/2008	Laumer et al.	
2004/0146408	A1	7/2004	Anderson	2008/0233029	A1	9/2008	Fan et al.	
2004/0148934	A1	8/2004	Pinkerton et al.	2008/0238105	A1	10/2008	Ortiz et al.	
2004/0211182	A1	10/2004	Gould	2008/0238187	A1	10/2008	Garnett et al.	
2004/0244580	A1	12/2004	Coney et al.	2008/0250788	A1	10/2008	Nuel et al.	
2004/0261415	A1	12/2004	Negre et al.	2008/0251302	A1	10/2008	Lynn et al.	
2005/0016165	A1	1/2005	Enis et al.	2008/0272597	A1	11/2008	Althaus	
2005/0028529	A1	2/2005	Bartlett et al.	2008/0272598	A1	11/2008	Nakhamkin	
2005/0047930	A1	3/2005	Schmid	2008/0272605	A1	11/2008	Borden et al.	
2005/0072154	A1	4/2005	Frutschi	2008/0308168	A1	12/2008	O'Brien, II et al.	
2005/0115234	A1	6/2005	Asano et al.	2008/0308270	A1	12/2008	Wilson	
2005/0155347	A1	7/2005	Lewellin	2008/0315589	A1	12/2008	Malmrup	
2005/0166592	A1	8/2005	Larson et al.	2009/0000290	A1	1/2009	Brinkman	
2005/0274334	A1	12/2005	Warren	2009/0007558	A1	1/2009	Hall et al.	
2005/0275225	A1	12/2005	Bertolotti	2009/0008173	A1	1/2009	Hall et al.	
2005/0279086	A1	12/2005	Hoos	2009/0010772	A1	1/2009	Siemroth	
2005/0279292	A1	12/2005	Hudson et al.	2009/0020275	A1	1/2009	Neher et al.	
2005/0279296	A1	12/2005	Coney et al.	2009/0021012	A1*	1/2009	Stull et al. ....	290/44
2006/0055175	A1	3/2006	Grinblat	2009/0056331	A1	3/2009	Zhao et al.	
2006/0059912	A1	3/2006	Romanelli et al.	2009/0071153	A1	3/2009	Boyapati et al.	
2006/0059936	A1	3/2006	Radke et al.	2009/0107784	A1	4/2009	Gabriel et al.	
2006/0059937	A1	3/2006	Perkins et al.	2009/0145130	A1	6/2009	Kaufman	
2006/0075749	A1	4/2006	Cherney et al.	2009/0158740	A1	6/2009	Littau et al.	
2006/0090467	A1	5/2006	Crow	2009/0178409	A1	7/2009	Shinnar	
2006/0090477	A1	5/2006	Rolff	2009/0200805	A1	8/2009	Kim et al.	
2006/0107664	A1	5/2006	Hudson et al.	2009/0220364	A1	9/2009	Rigal et al.	
2006/0162543	A1	7/2006	Abe et al.	2009/0229902	A1	9/2009	Stansbury, III	
2006/0162910	A1	7/2006	Kelly et al.	2009/0249826	A1	10/2009	Hugelman	



GB	1449076	9/1976	WO	WO-2004/109172	12/2004
GB	1479940	7/1977	WO	WO-2005/044424	5/2005
GB	2106992	4/1983	WO	WO-2005/062969	7/2005
GB	2223810	4/1990	WO	WO-2005/067373	7/2005
GB	2 300 673	11/1996	WO	WO-2005/079461	9/2005
GB	2373546	9/2002	WO	WO-2005/088131	9/2005
GB	2403356	12/2004	WO	WO-2005/095155	10/2005
JP	57010778	1/1982	WO	WO-2006/029633	3/2006
JP	57070970	5/1982	WO	WO-2006/058085	6/2006
JP	57120058	7/1982	WO	WO-2006/124006	11/2006
JP	58183880	10/1982	WO	WO-2007/002094	1/2007
JP	58150079	9/1983	WO	WO-2007/003954	1/2007
JP	58192976	11/1983	WO	WO-2007/012143	2/2007
JP	60206985	10/1985	WO	WO-2007/035997	4/2007
JP	62101900	5/1987	WO	WO-2007/051034	5/2007
JP	63227973	9/1988	WO	WO-2007/066117	6/2007
JP	2075674	3/1990	WO	WO-2007/086792	8/2007
JP	2247469	10/1990	WO	WO-2007/089872	8/2007
JP	3009090	1/1991	WO	WO-2007/096656	8/2007
JP	3281984	12/1991	WO	WO-2007/111839	10/2007
JP	4121424	4/1992	WO	WO-2007/136765	11/2007
JP	6185450	7/1994	WO	WO-2007/140914	12/2007
JP	8145488	6/1996	WO	WO-2008/003950	1/2008
JP	9166079	6/1997	WO	WO-2008/014769	2/2008
JP	10313547	11/1998	WO	WO-2008023901	2/2008
JP	2000-346093	6/1999	WO	WO-2008/027259	3/2008
JP	11351125	12/1999	WO	WO-2008/028881	3/2008
JP	2000166128	6/2000	WO	WO-2008/039725	4/2008
JP	2000346093	12/2000	WO	WO-2008/045468	4/2008
JP	2002127902	5/2002	WO	WO-2009045468	4/2008
JP	2003083230	3/2003	WO	WO-2008/051427	5/2008
JP	2005023918	1/2005	WO	WO-2008/074075	6/2008
JP	2005036769	2/2005	WO	WO-2008/084507	7/2008
JP	2005068963	3/2005	WO	WO-2008/091373	7/2008
JP	2006220252	8/2006	WO	WO 2008102292	8/2008
JP	2007001872	1/2007	WO	WO-2008/106967	9/2008
JP	2007145251	6/2007	WO	WO-2008/108870	9/2008
JP	2007211730	8/2007	WO	WO-2008/109006	9/2008
JP	2008038658	2/2008	WO	WO-2008/110018	9/2008
KR	840000180	2/1984	WO	WO-2008/115479	9/2008
KR	2004004637	1/2004	WO	WO-2008/121378	10/2008
RU	2101562	1/1998	WO	WO-2008139267	11/2008
RU	2169857	6/2001	WO	WO-2008/152432	12/2008
RU	2213255	9/2003	WO	WO-2008/153591	12/2008
SU	800438	1/1981	WO	WO-2008/157327	12/2008
UA	69030	8/2004	WO	WO-2009/034548	3/2009
WO	WO-82/00319	2/1982	WO	WO-2009/038973	3/2009
WO	WO-8802818	4/1988	WO	WO-2009034421	3/2009
WO	WO-92/22741	12/1992	WO	WO-2009/045110	4/2009
WO	WO-93/06367	4/1993	WO	WO-2009044139	4/2009
WO	WO-93/11363	6/1993	WO	WO-2009/114205	9/2009
WO	WO-93/24754	12/1993	WO	WO-2009/126784	10/2009
WO	WO 9412785	6/1994	WO	WO-2010/006319	1/2010
WO	WO-95/25381	9/1995	WO	WO-2010/009053	1/2010
WO	WO-96/01942	1/1996	WO	WO-2010040890 A1	4/2010
WO	WO-96/22456	7/1996	WO	WO-2010/105155	9/2010
WO	WO-96/34213	10/1996	WO	WO-2010/135658	11/2010
WO	WO-97/01029	1/1997	WO	WO-2011/008321	1/2011
WO	WO-97/17546	5/1997	WO	WO-2011/008325	1/2011
WO	WO-98/02818	1/1998	WO	WO-2011/008500	1/2011
WO	WO-98/17492	4/1998	WO	WO-2011079267 A1	6/2011
WO	WO-99/41498	8/1999	WO	WO-2011079271 A2	6/2011
WO	WO-00/01945	1/2000			
WO	WO-00/37800	6/2000			
WO	WO-00/65212	11/2000			
WO	WO-00/68578	11/2000			
WO	WO 0175290	10/2001			
WO	WO-0175308 A1	10/2001			
WO	WO-02/25083	3/2002			
WO	WO-02/46621	6/2002			
WO	WO-02/103200	12/2002			
WO	WO-03021107 A1	3/2003			
WO	WO-03021702	3/2003			
WO	WO-03/078812	9/2003			
WO	WO-03081011	10/2003			
WO	WO-2004/034391	5/2004			
WO	WO-2004/059155	7/2004			
WO	WO-2004/072452	8/2004			
WO	WO-2004/074679	9/2004			

OTHER PUBLICATIONS

Rufer et al., "Energetic Performance of a Hybrid Energy Storage System Based on Compressed Air and Super Capacitors," Power Electronics, Electrical Drives, Automation and Motion, (May 1, 2006), pp. 469-474.

Lemofouet et al. "Hybrid Energy Storage Systems based on Compressed Air and Supercapacitors with Maximum Efficiency Point Tracking," Industrial Electronics Laboratory (LEI), (2005), pp. 1-10.

Lemofouet et al. "Hybrid Energy Storage Systems based on Compressed Air and Supercapacitors with Maximum Efficiency Point Tracking," The International Power Electronics Conference, (2005), pp. 461-468.

"Hydraulic Transformer Supplies Continuous High Pressure," Machine Design, Penton Media, vol. 64, No. 17, (Aug. 1992), 1 page.

Lemofouet, "Investigation and Optimisation of Hybrid Electricity Storage Systems Based on Compressed Air and Supercapacitors," (Oct. 20, 2006), 250 pages.

Cyphelly et al., "Usage of Compressed Air Storage Systems," BFE-Program "Electricity," Final Report, May 2004, 14 pages.

Lemofouet et al., "A Hybrid Energy Storage System Based on Compressed Air and Supercapacitors with Maximum Efficiency Point Tracking (MEPT)," IEEE Transactions on Industrial Electron, vol. 53, No. 4, (Aug. 2006) pp. 1105-1115.

International Search Report and Written Opinion issued Sep. 15, 2009 for International Application No. PCT/US2009/040027, 8 pages.

International Search Report and Written Opinion issued Aug. 30, 2010 for International Application No. PCT/US2010/029795, 9 pages.

International Search Report and Written Opinion issued Dec. 3, 2009 for International Application No. PCT/US2009/046725, 9 pages.

International Search Report and Written Opinion issued Jan. 4, 2011 for International Application No. PCT/US2010/055279, 13 pages.

International Preliminary Report on Patentability mailed Oct. 13, 2011 for International Application No. PCT/US2010/029795 (9 pages).

Stephenson et al., "Computer Modelling of Isothermal Compression in the Reciprocating Compressor of a Complete Isoengine," 9th International Conference on Liquid Atomization and Spray Systems (Jul. 13-17, 2003).

Coney et al., "Development of a Reciprocating Compressor Using Water Injection to Achieve Quasi-Isothermal Compression," Purdue University International Compressor Engineering Conference (2002).

Linnemann et al., "The Isoengine—A Novel High Efficiency Engine with Optional Compressed Air Energy Storage (CAES)," International Joint Power Generation Conference (Jun. 16-19, 2003).

Linnemann et al., "The Isoengine: Realisation of a High-Efficiency Power Cycle Based on Isothermal Compression," Int. J. Energy Tech. and Policy, vol. 3, Nos. 1-2, pp. 66-84 (2005).

Winterburn et al., "Mechanisms of Ultrasound Foam Interactions," Asia-Pac. J. Chem. Eng., vol. 4, pp. 184-190 (2009).

\* cited by examiner



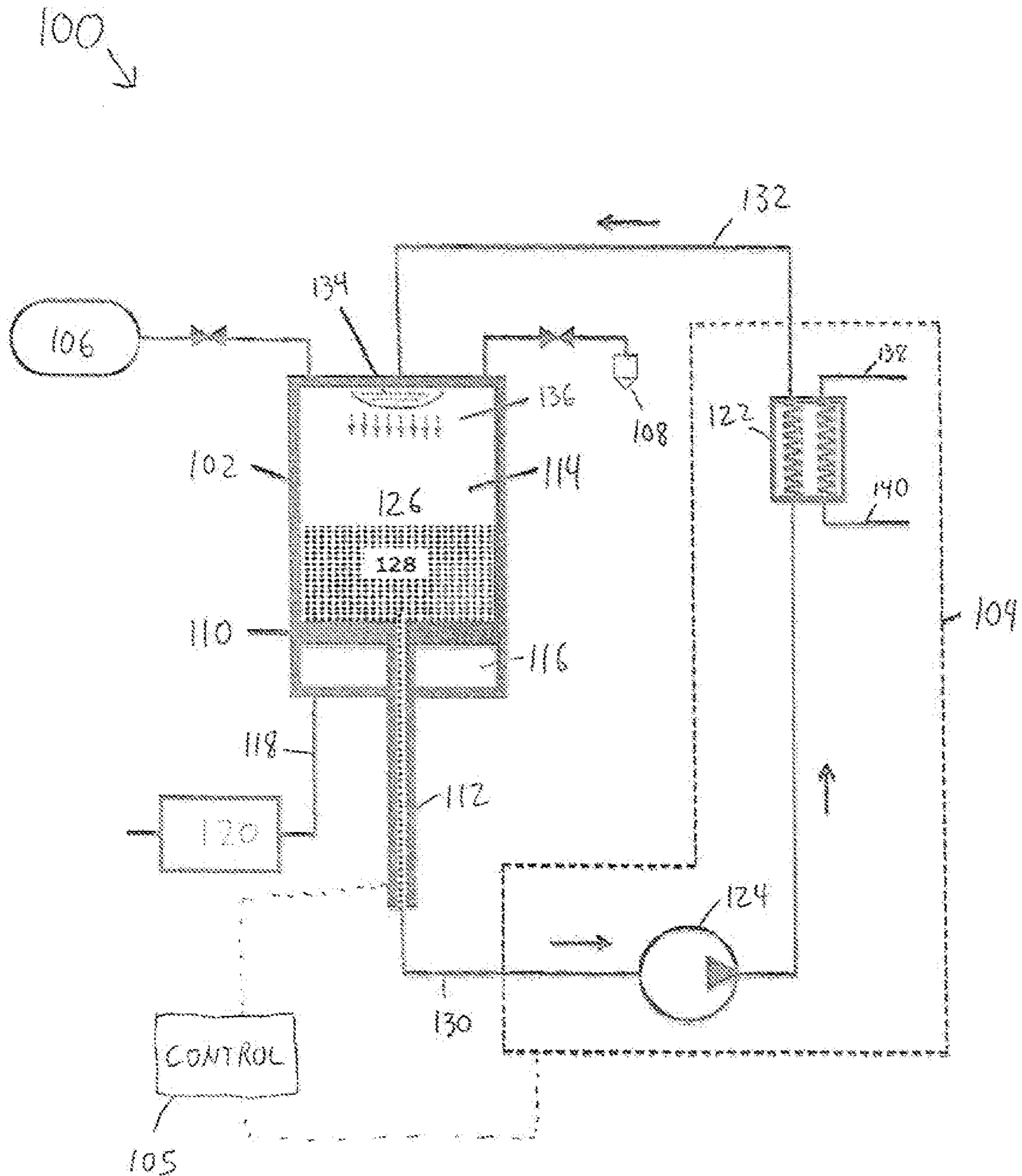


FIG. 1

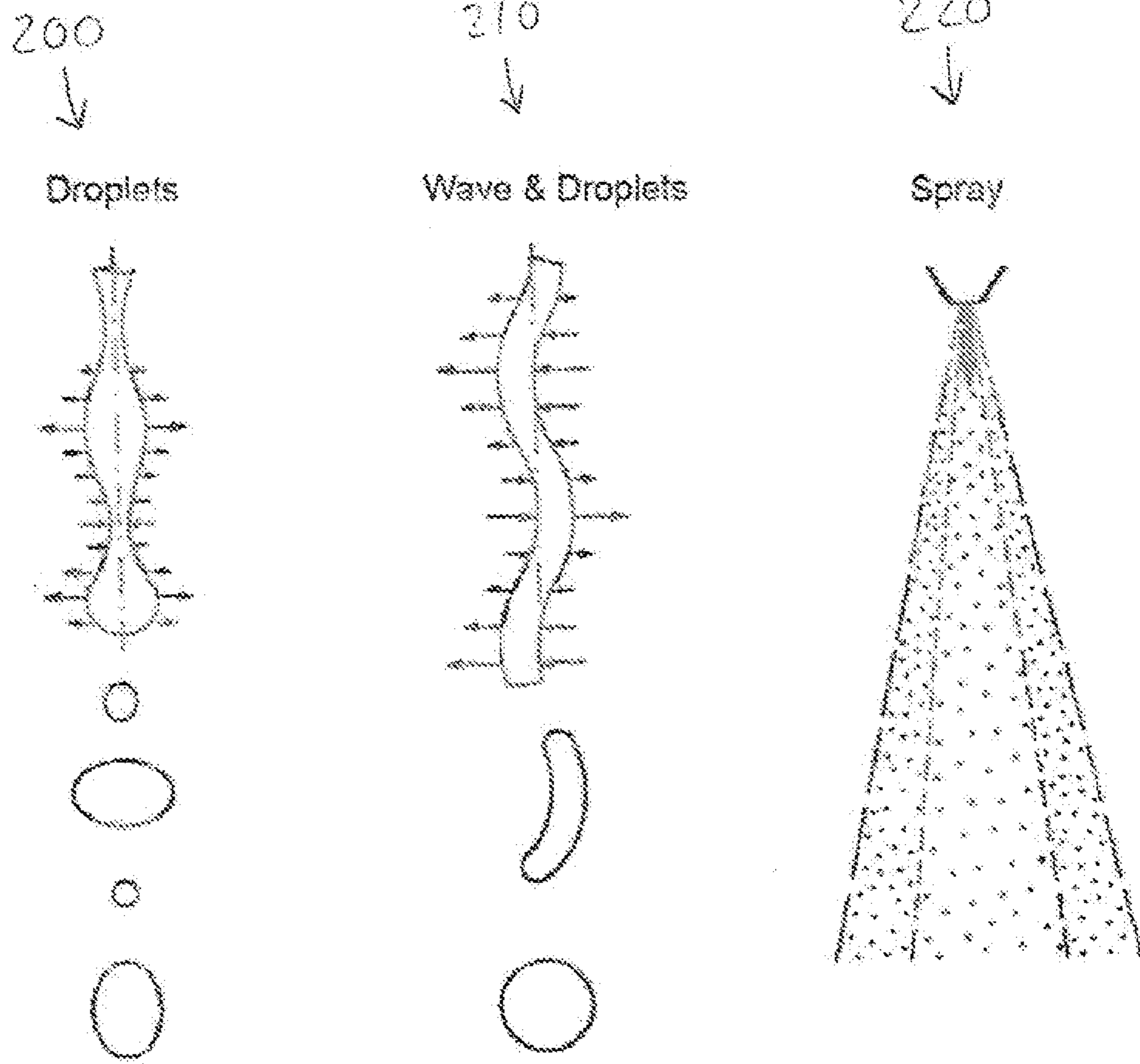


FIG. 2

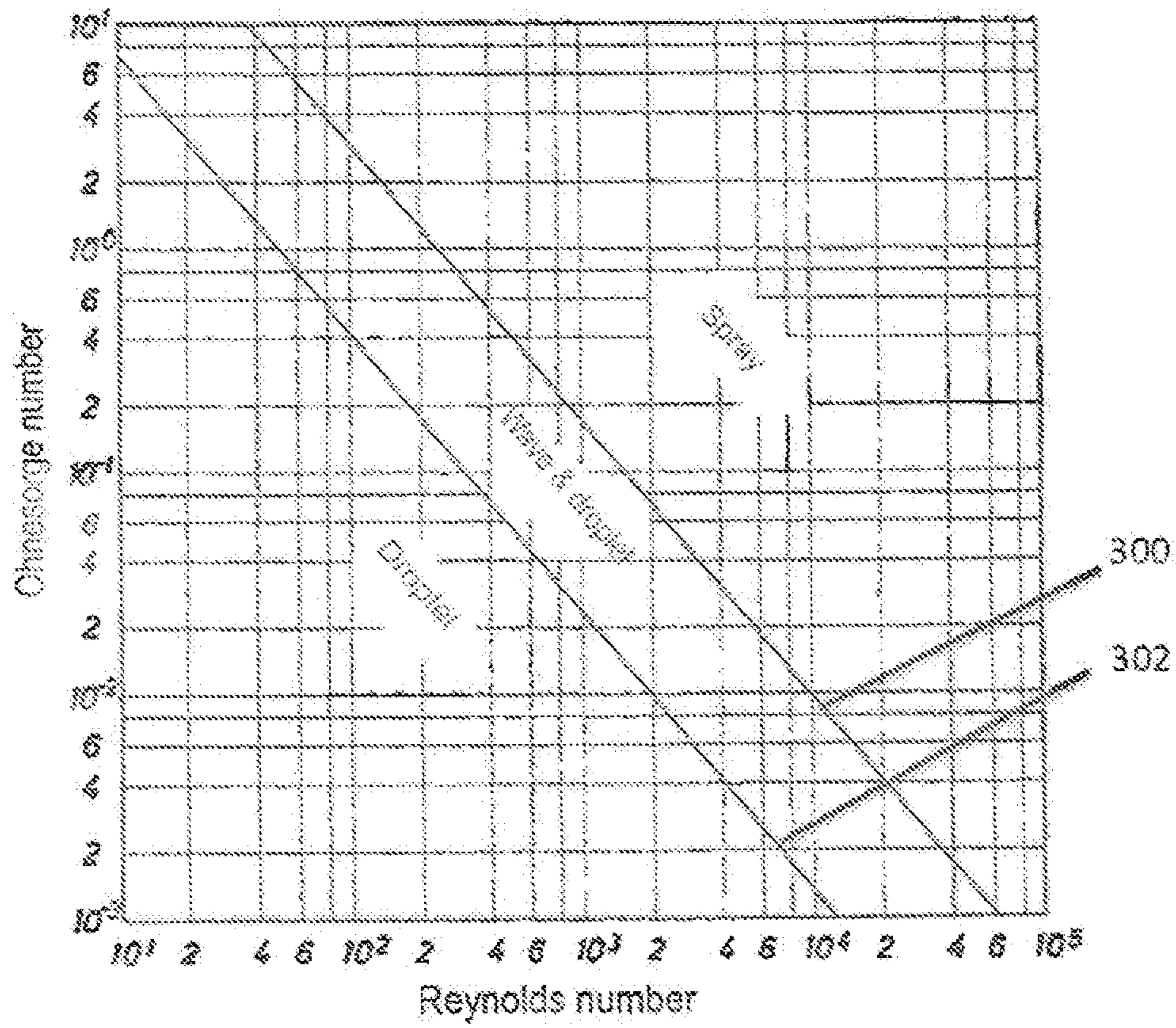


FIG. 3

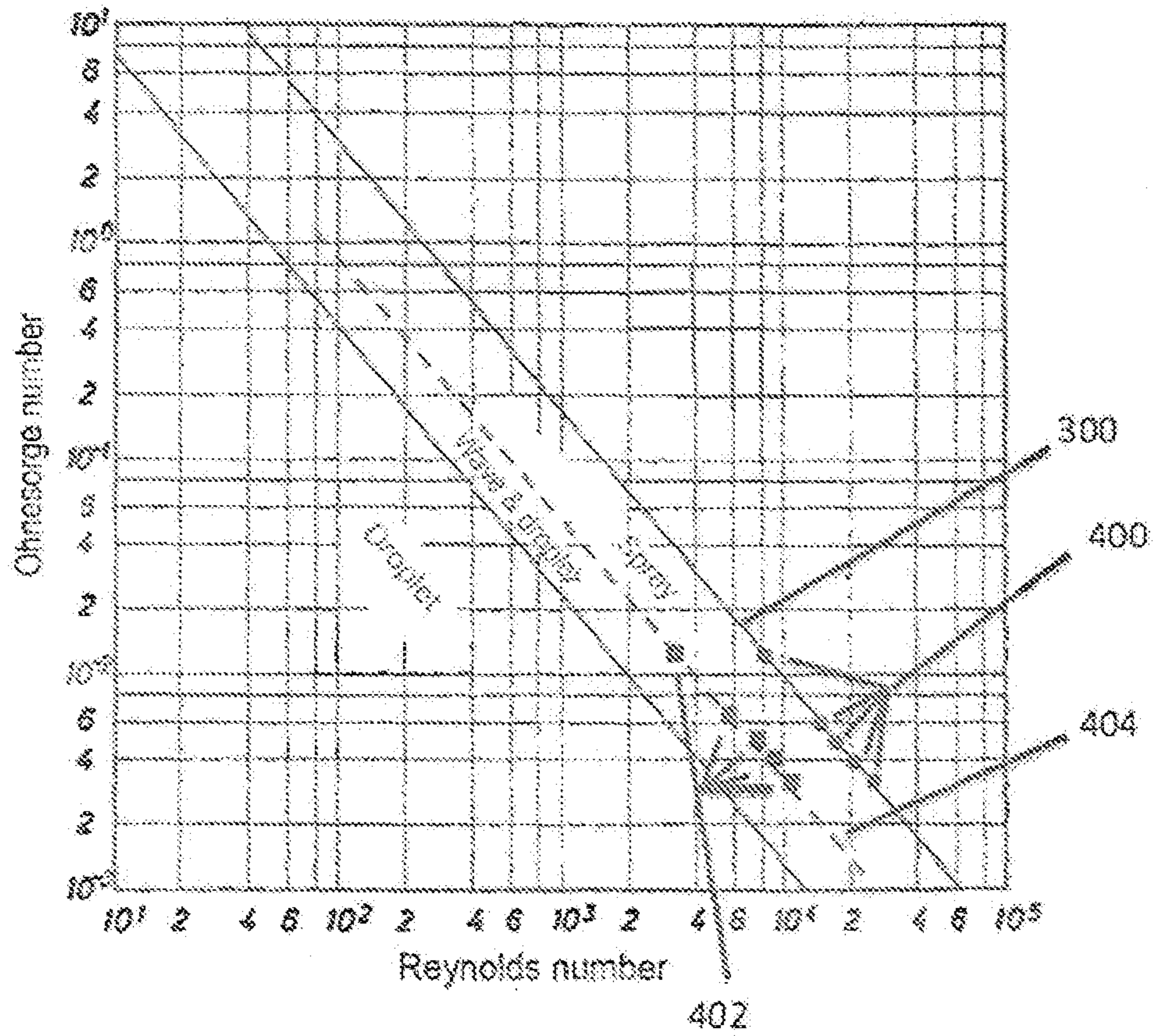


FIG. 4

Hole Diameter ( $\mu\text{m}$ )	$We_{\text{air}}$ (at 20 bar)	Velocity (m/s)	Pressure	# Holes per kW for 5°C change	Energy consumption
			Drop (bar)		(W) per kW for 5°C change
100	40	35.2	17.0	175.1	82.3
300	40	20.3	5.7	33.7	27.4
500	40	15.7	3.4	15.7	16.5
700	40	13.3	2.4	9.5	11.8
900	40	11.7	1.9	6.5	9.1

FIG. 5

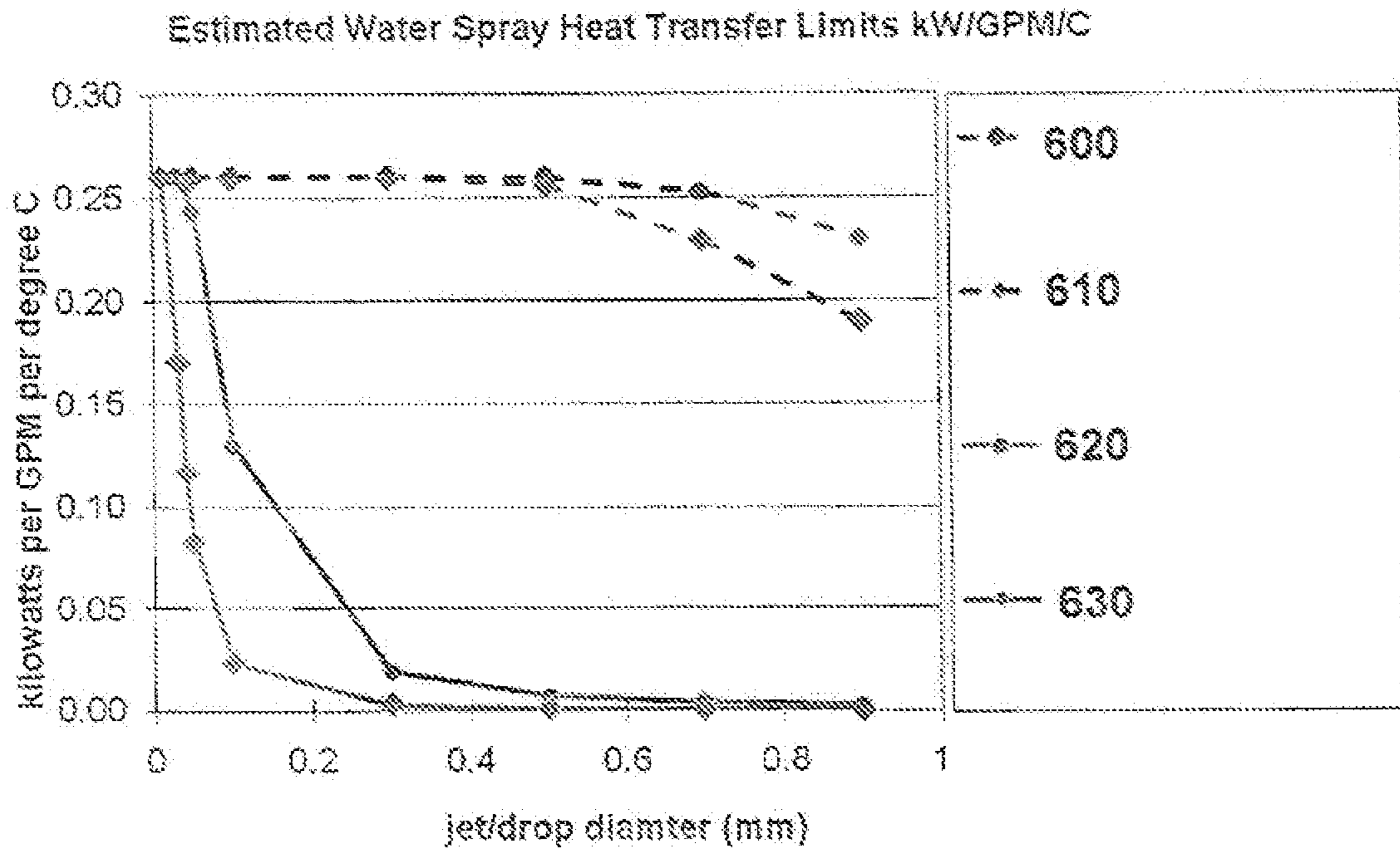


FIG. 6

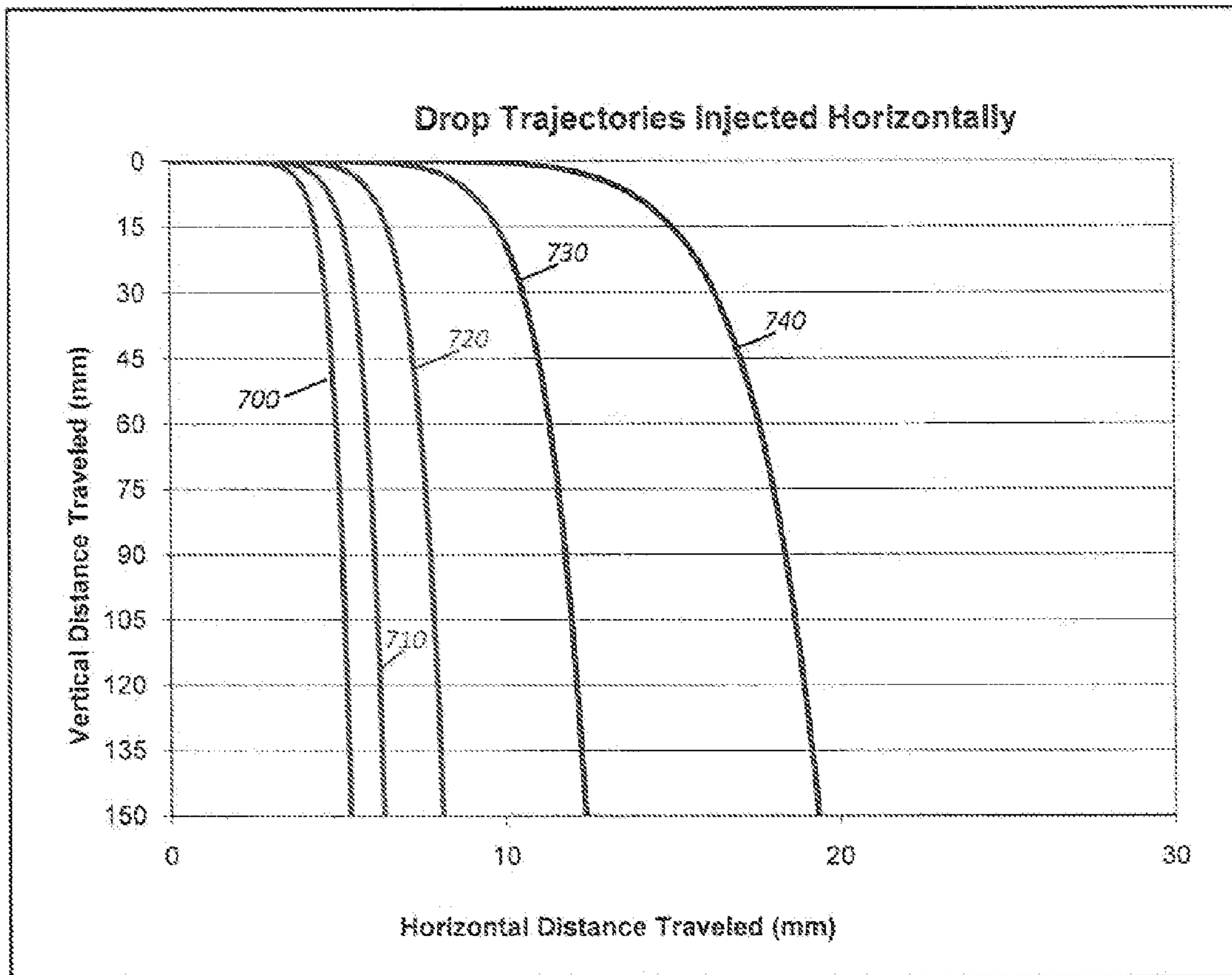


FIG. 7

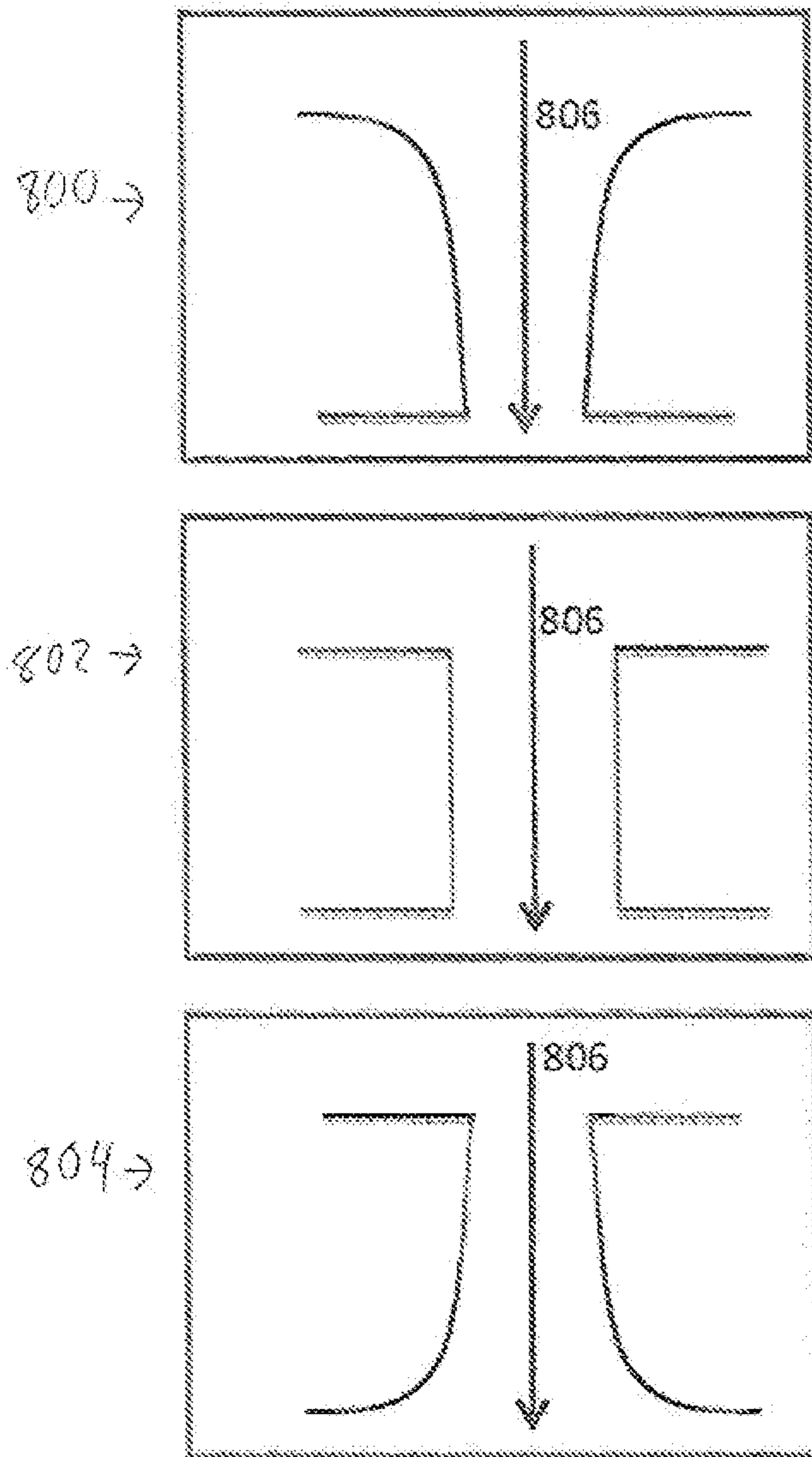


FIG. 8



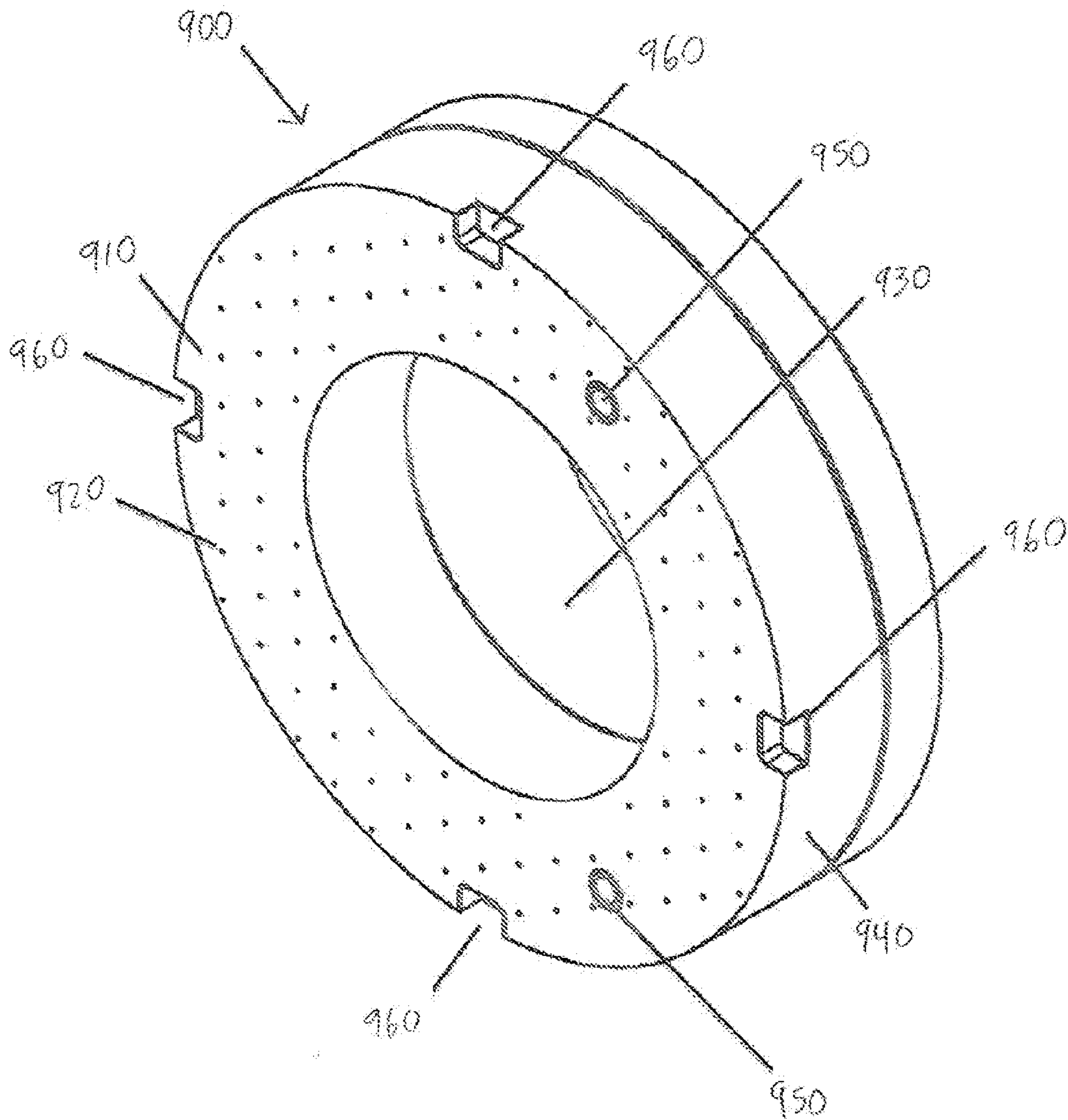


FIG. 9

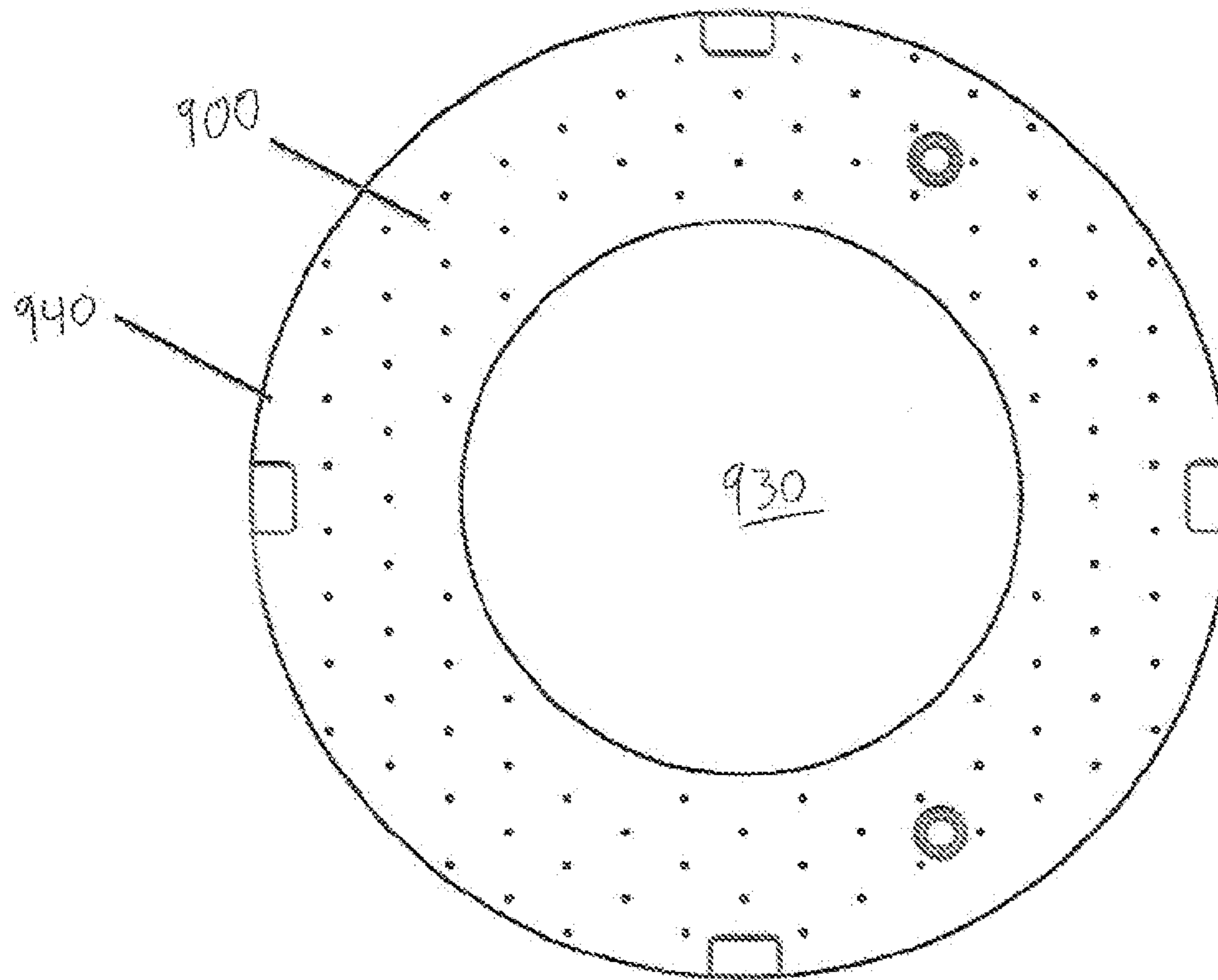


FIG. 10

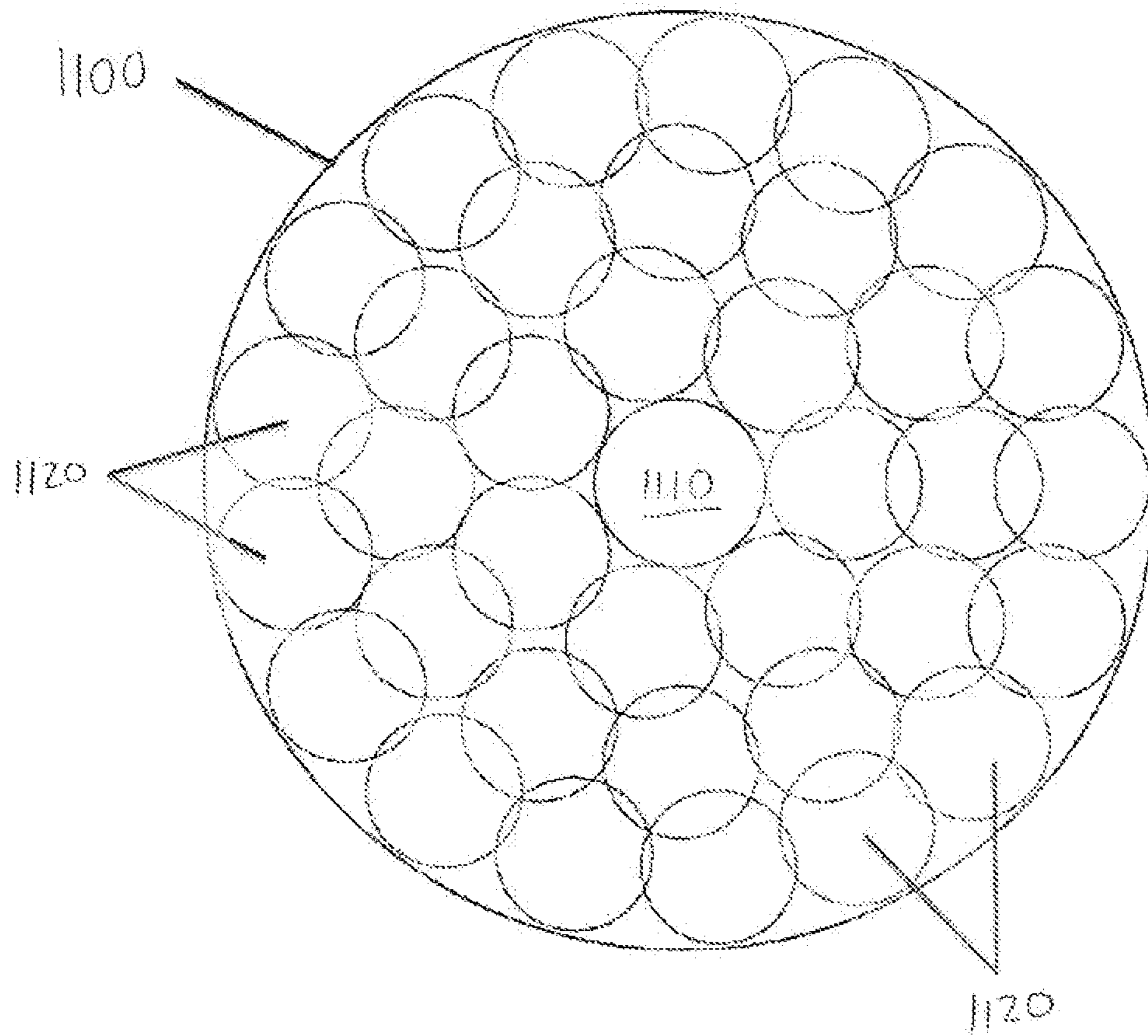


FIG. 11

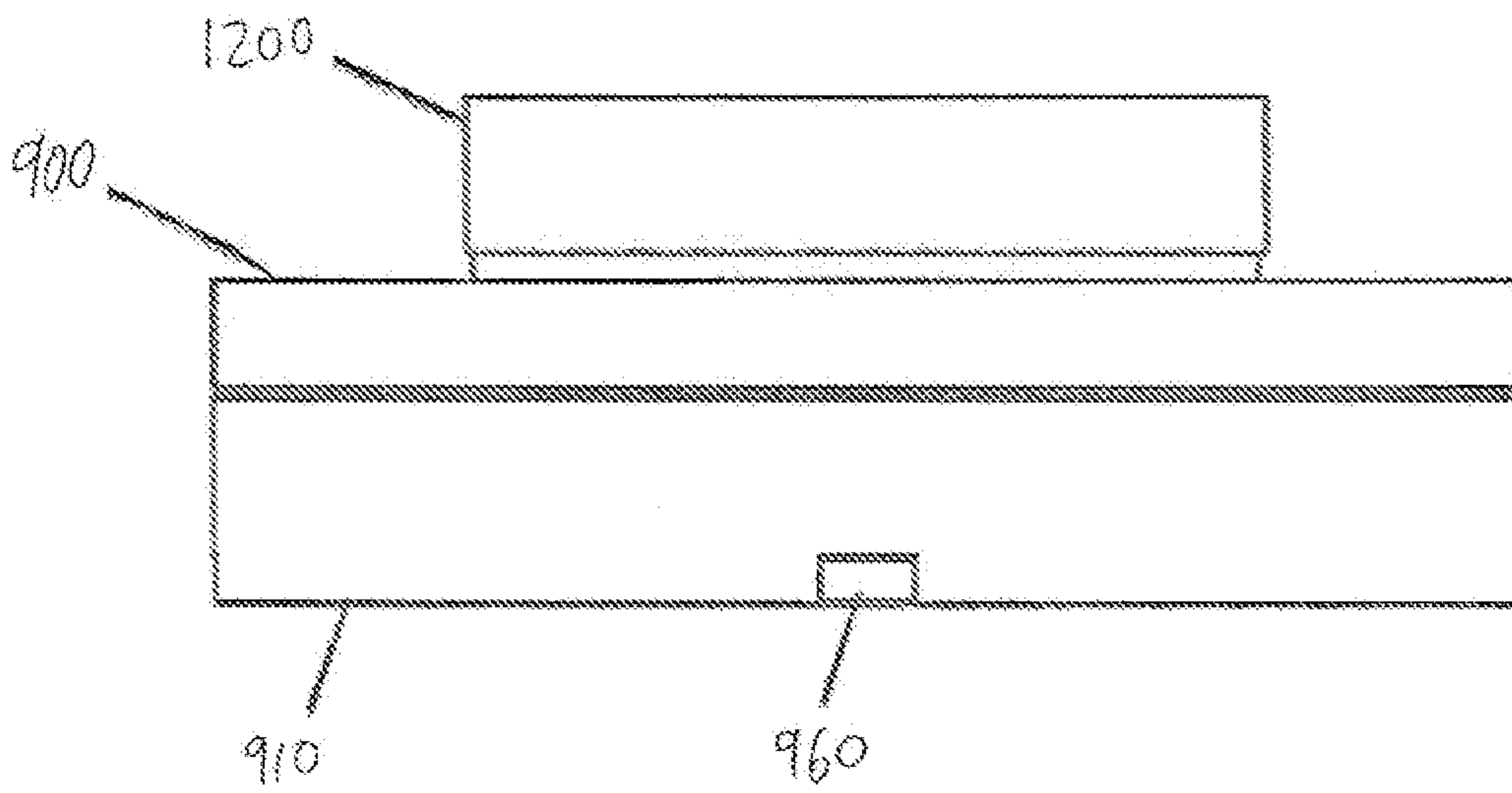


FIG. 12

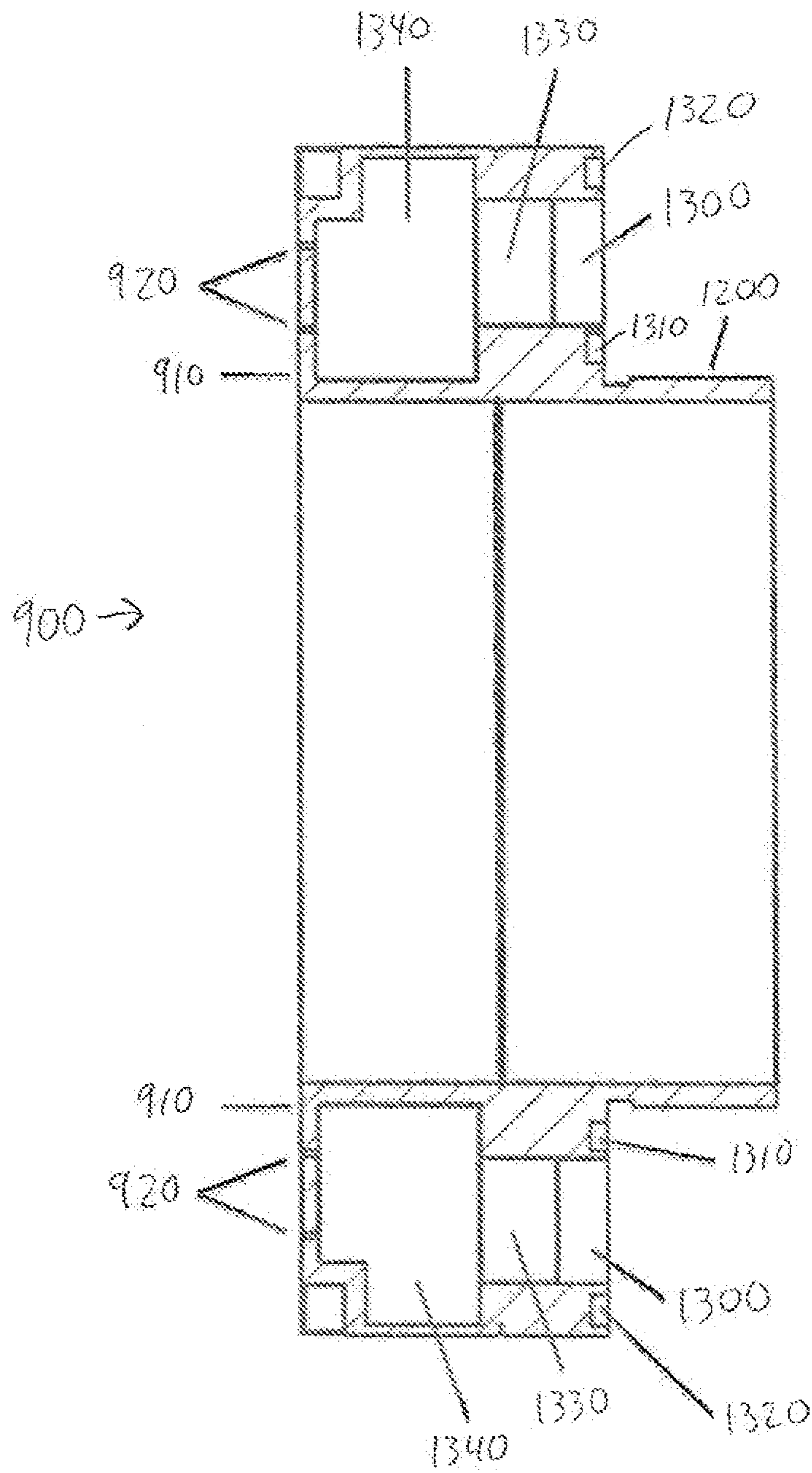


FIG. 13

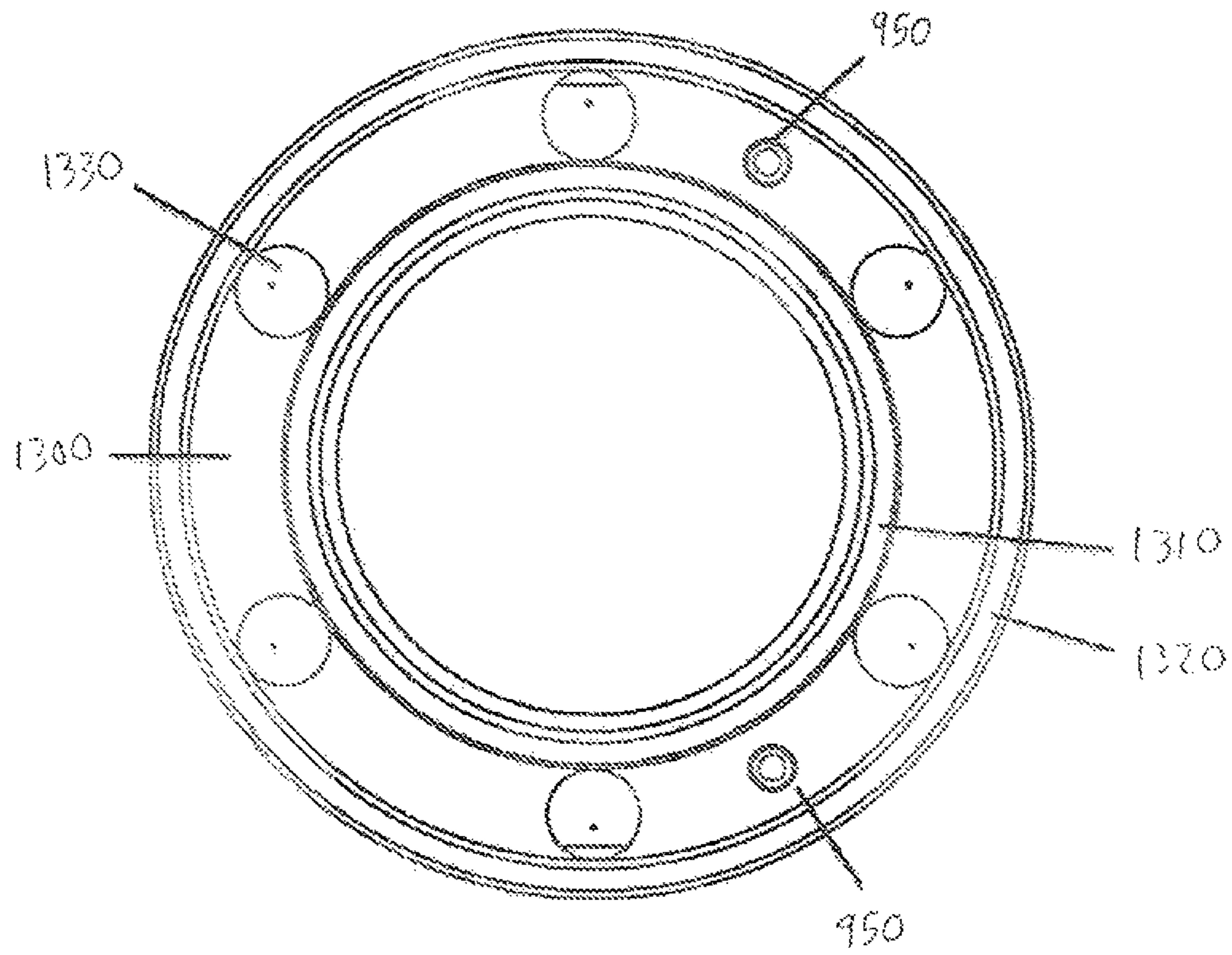


FIG. 14

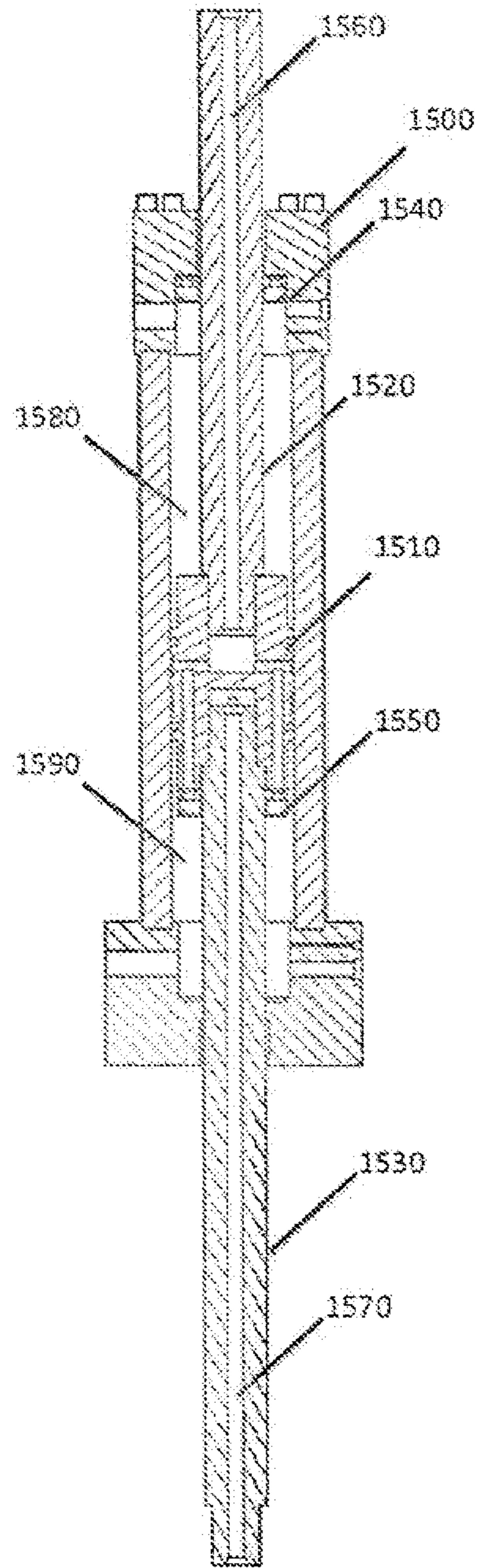


FIG. 15

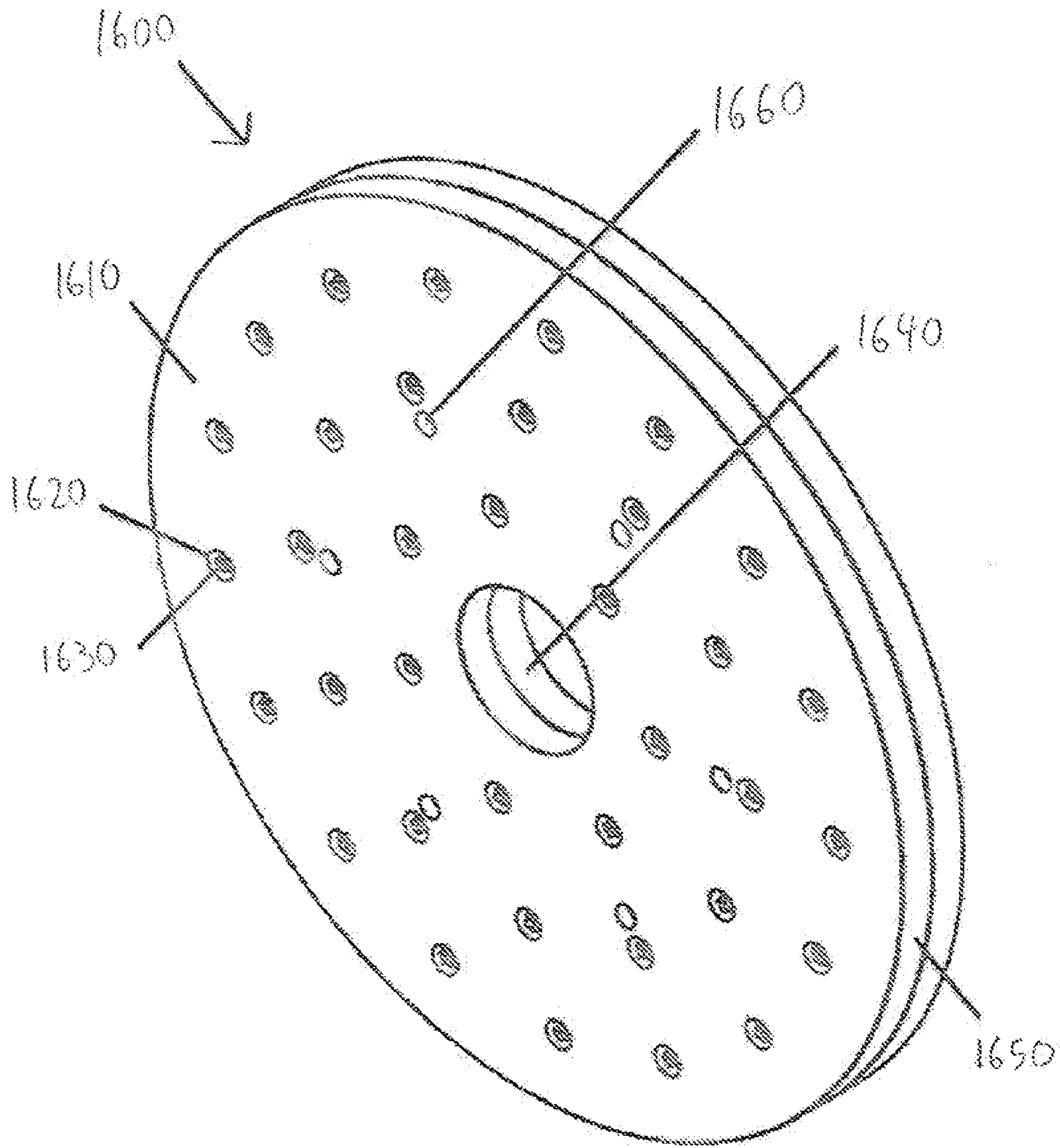


FIG. 16



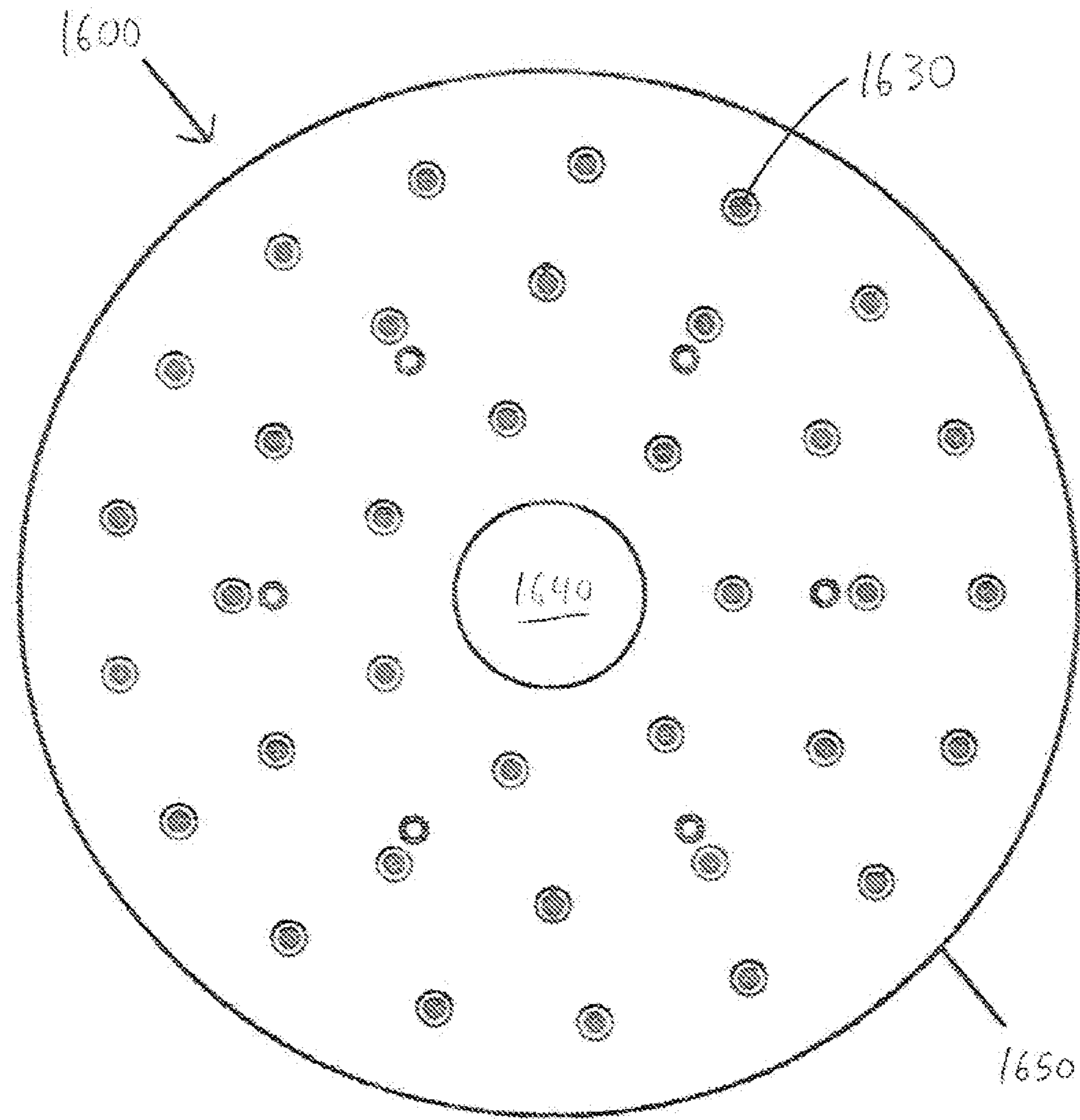


FIG. 17

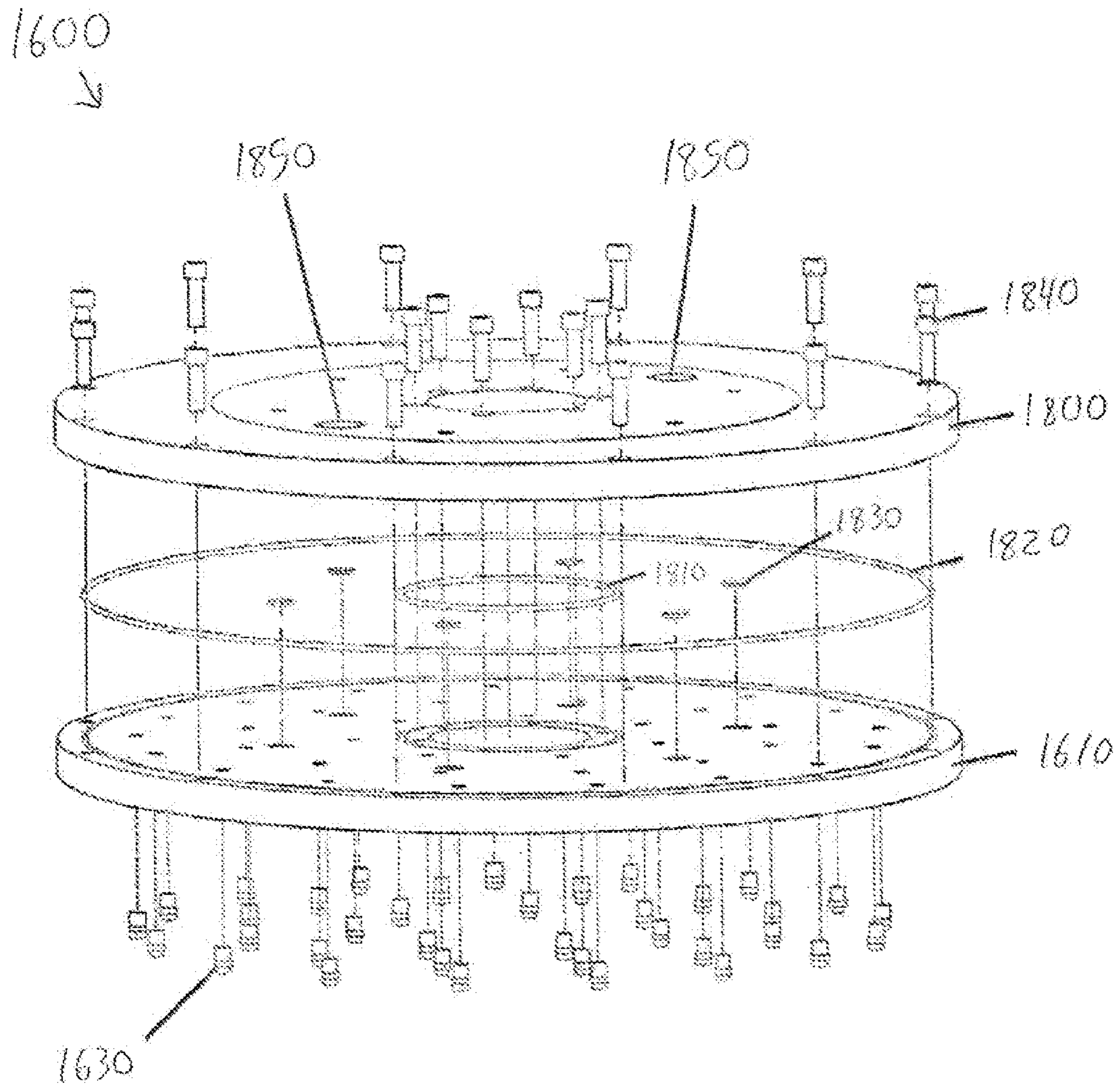


FIG. 18

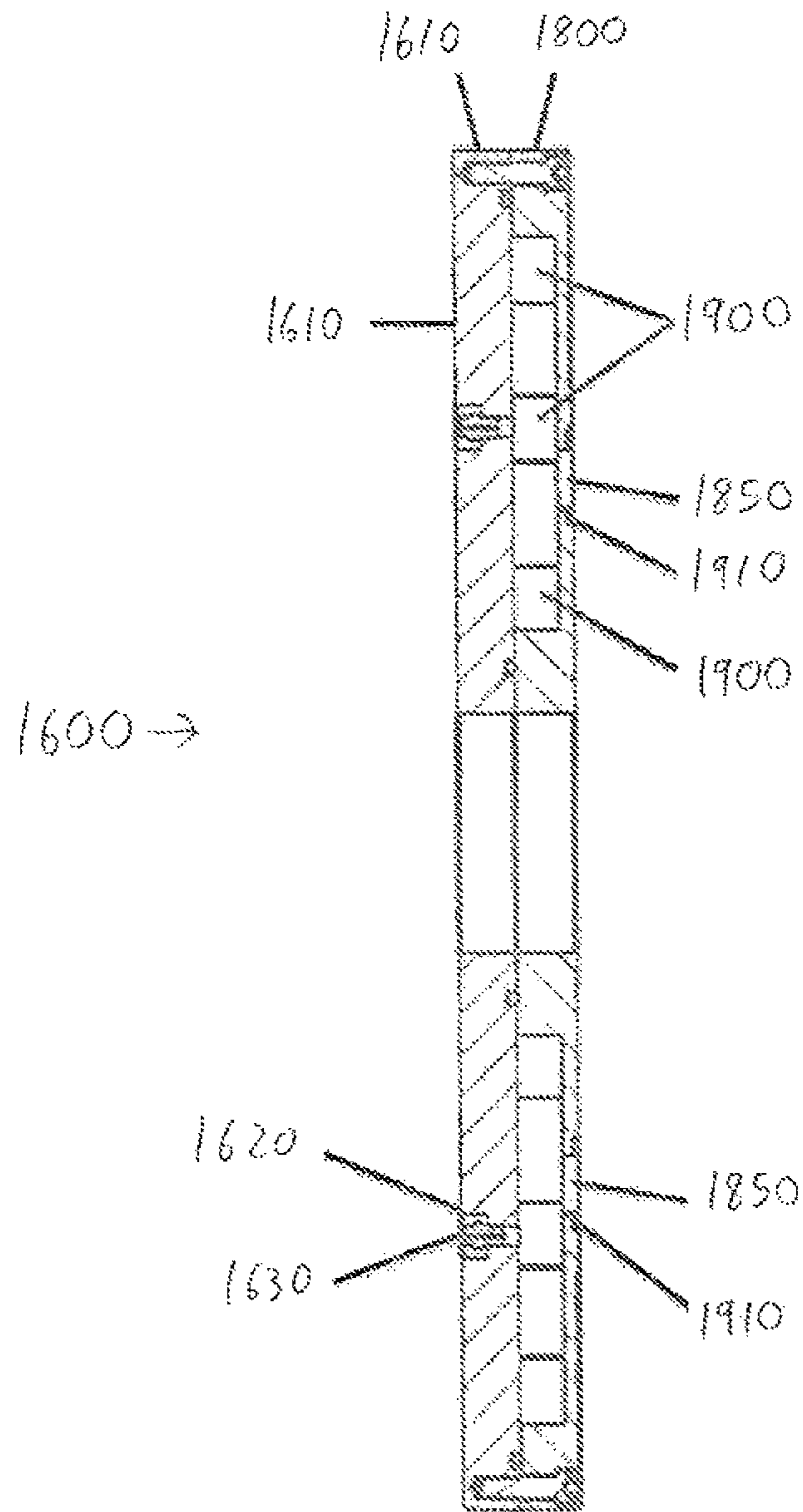


FIG. 19

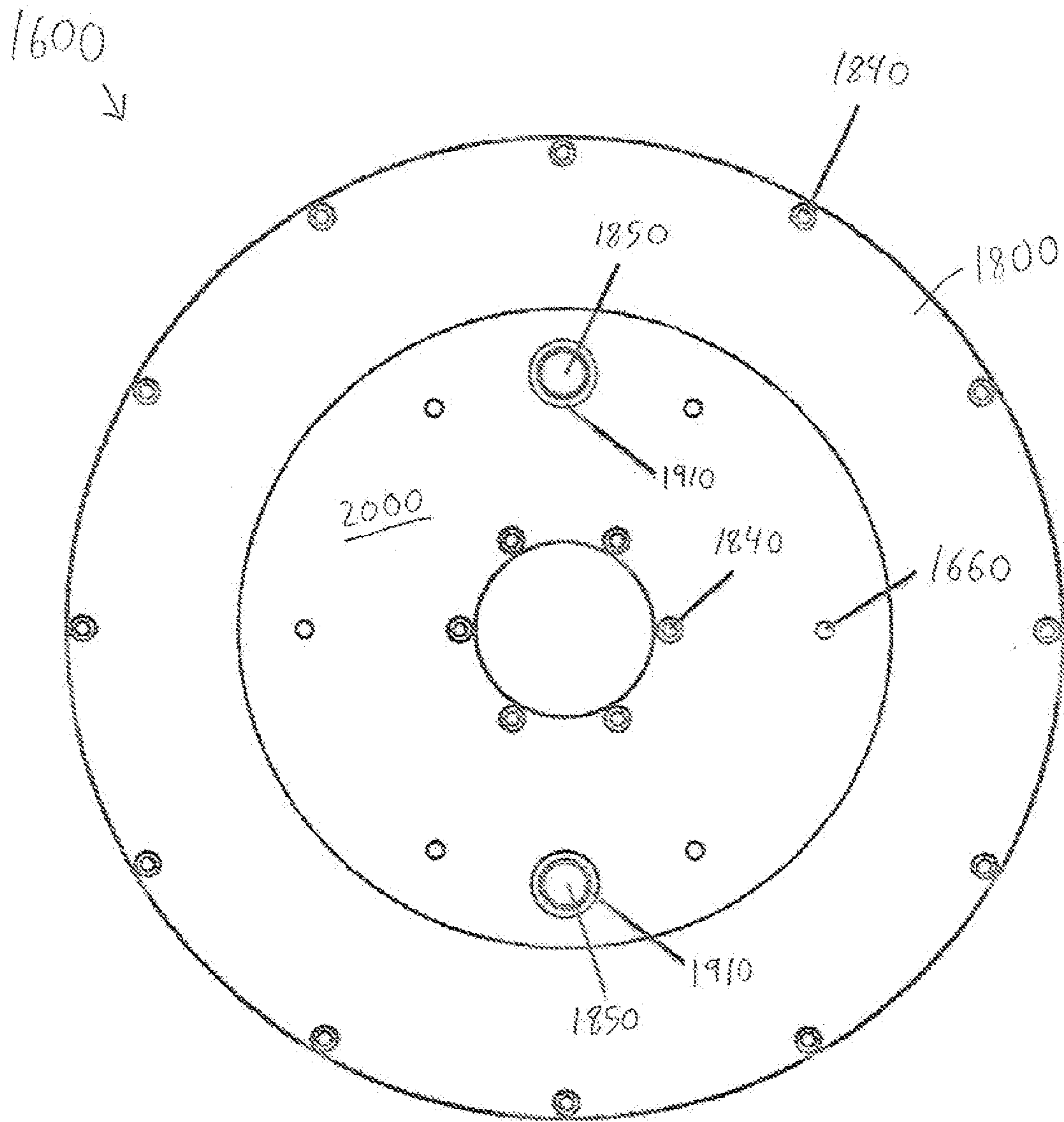


FIG. 20

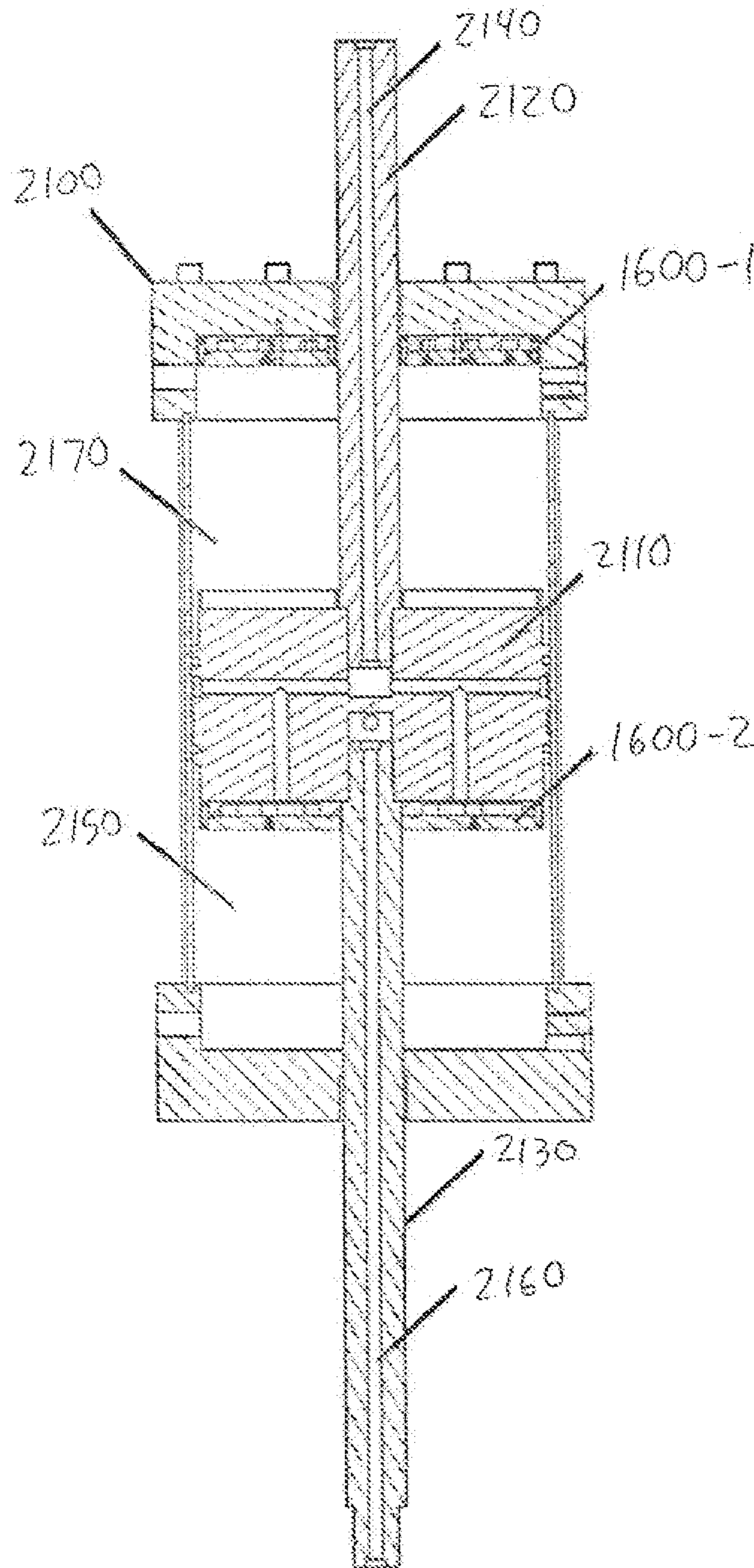


FIG. 21

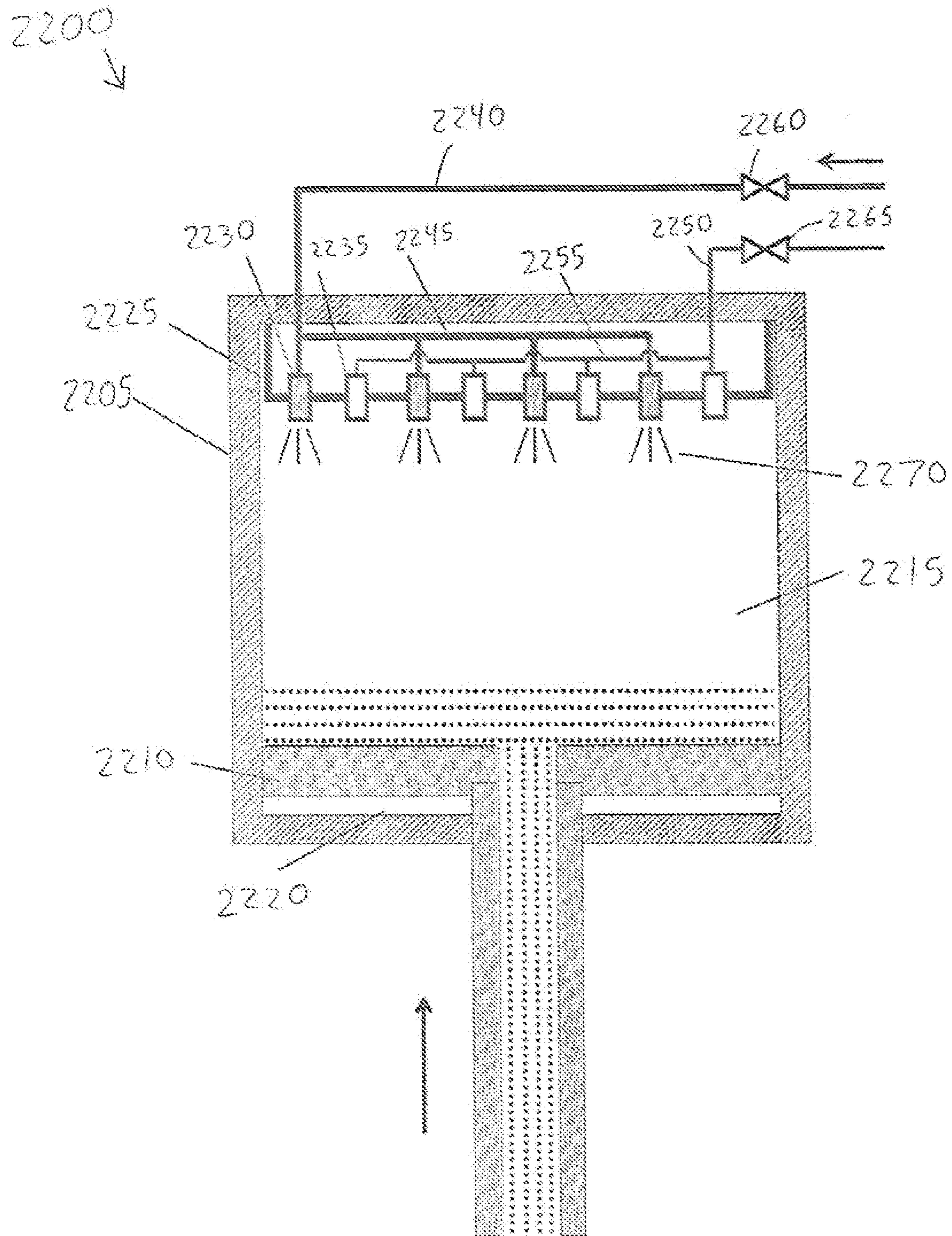


FIG. 22A

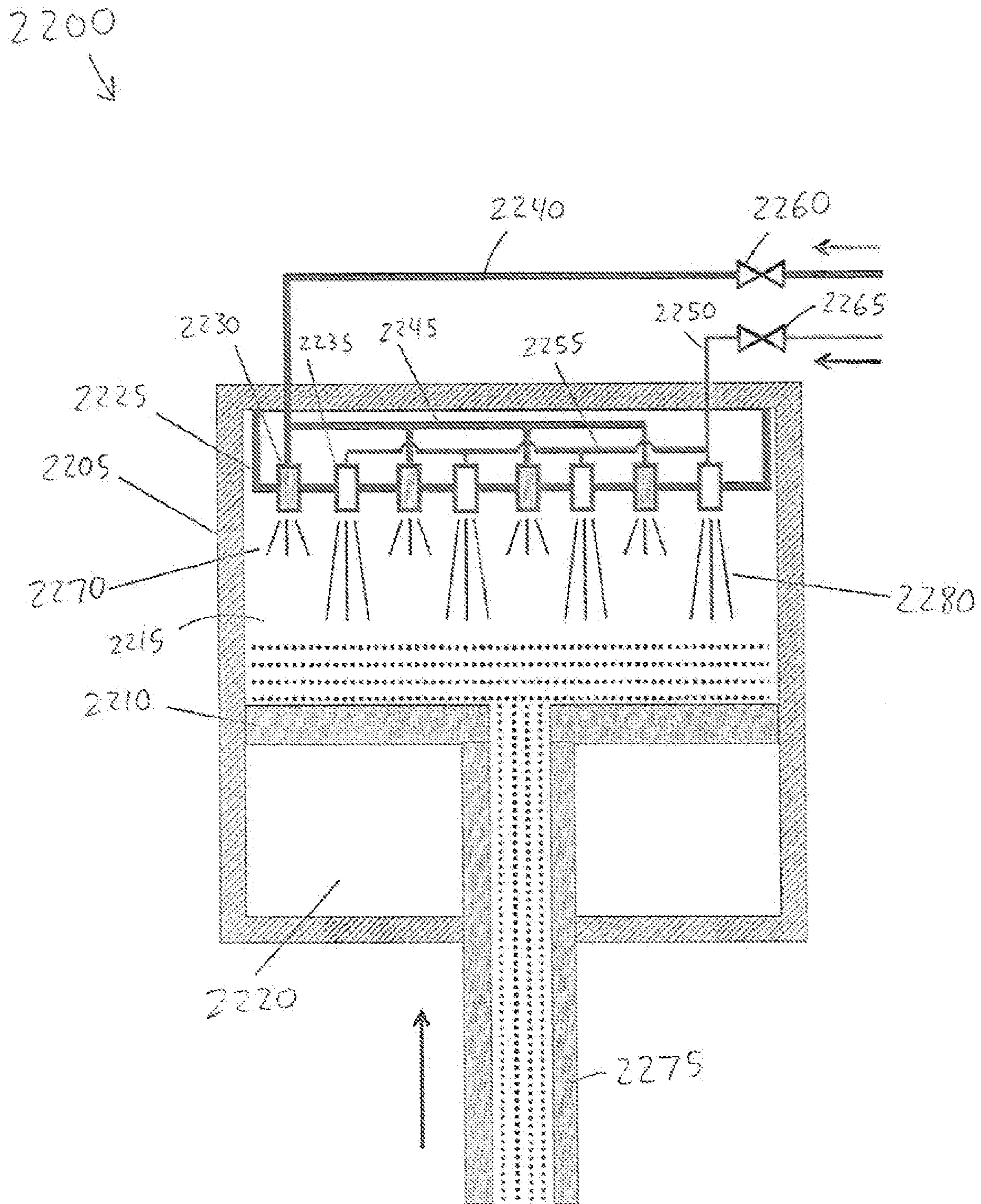


FIG. 22B

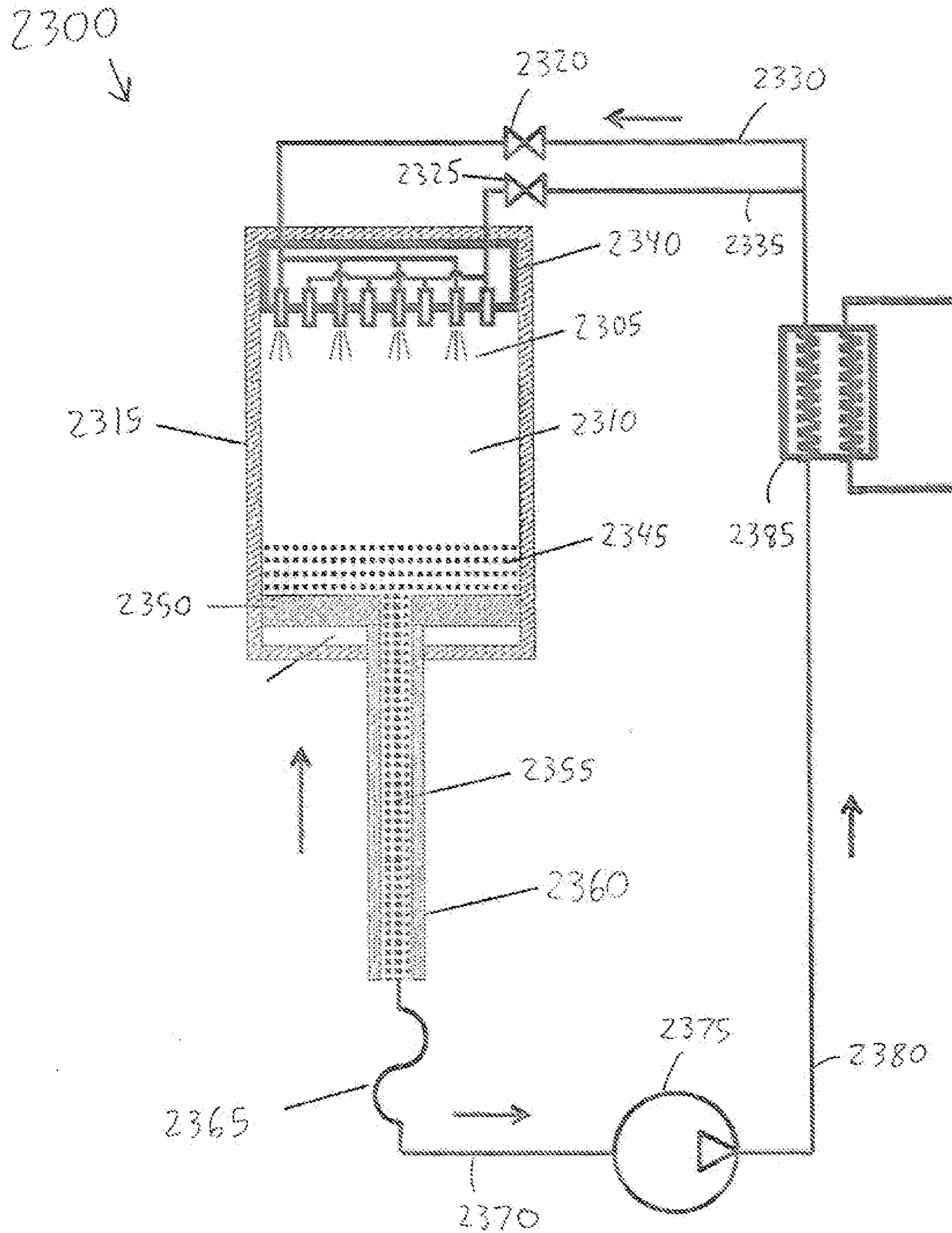


FIG. 23



1

**FORMING LIQUID SPRAYS IN  
COMPRESSED-GAS ENERGY STORAGE  
SYSTEMS FOR EFFECTIVE HEAT  
EXCHANGE**

RELATED APPLICATIONS

This application claims the benefit of and priority to U.S. Provisional Patent Application No. 61/334,722, filed May 14, 2010, U.S. Provisional Patent Application No. 61/349,009, filed May 27, 2010, U.S. Provisional Patent Application No. 61/363,072, filed Jul. 9, 2010, and U.S. Provisional Patent Application No. 61/393,725, filed Oct. 15, 2010, and is a continuation-in-part of U.S. patent application Ser. No. 12/639,703, filed Dec. 16, 2009, which (i) is a continuation-in-part of U.S. patent application Ser. No. 12/421,057, filed Apr. 9, 2009, which claims the benefit of and priority to U.S. Provisional Patent Application No. 61/148,691, filed Jan. 30, 2009, and U.S. Provisional Patent Application No. 61/043,630, filed Apr. 9, 2008; (ii) is a continuation-in-part of U.S. patent application Ser. No. 12/481,235, filed Jun. 9, 2009, which claims the benefit of and priority to U.S. Provisional Patent Application No. 61/059,964, filed Jun. 9, 2008; and (iii) claims the benefit of and priority to U.S. Provisional Patent Application Nos. 61/166,448, filed on Apr. 3, 2009; 61/184,166, filed on Jun. 4, 2009; 61/223,564, filed on Jul. 7, 2009; 61/227,222, filed on Jul. 21, 2009; and 61/251,965, filed on Oct. 15, 2009. The entire disclosure of each of these applications is hereby incorporated herein by reference.

STATEMENT REGARDING FEDERALLY  
SPONSORED RESEARCH

This invention was made with government support under IIP-0810590 and IIP-0923633 awarded by the National Science Foundation and DE-OE0000231 awarded by the Department of Energy. The government has certain rights in the invention.

FIELD OF THE INVENTION

In various embodiments, the present invention relates to pneumatics, power generation, and energy storage, and more particularly, to compressed-gas energy-storage systems and methods using pneumatic or pneumatic/hydraulic cylinders.

BACKGROUND

Storing energy in the form of compressed gas has a long history and components tend to be well tested and reliable, and have long lifetimes. The general principle of compressed-gas or compressed-air energy storage (CAES) is that generated energy (e.g., electric energy) is used to compress gas (e.g., air), thus converting the original energy to pressure potential energy; this potential energy is later recovered in a useful form (e.g., converted back to electricity) via gas expansion coupled to an appropriate mechanism. Advantages of compressed-gas energy storage include low specific-energy costs, long lifetime, low maintenance, reasonable energy density, and good reliability.

If a body of gas is at the same temperature as its environment, and expands slowly relative to the rate of heat exchange between the gas and its environment, then the gas will remain at approximately constant temperature as it expands. This process is termed “isothermal” expansion. Isothermal expansion of a quantity of high-pressure gas stored at a given temperature recovers approximately three times more work

2

than would “adiabatic” expansion, that is, expansion where no heat is exchanged between the gas and its environment—e.g., because the expansion happens rapidly or in an insulated chamber. Gas may also be compressed isothermally or adiabatically.

An ideally isothermal energy-storage cycle of compression, storage, and expansion would have 100% thermodynamic efficiency. An ideally adiabatic energy-storage cycle would also have 100% thermodynamic efficiency, but there are many practical disadvantages to the adiabatic approach. These include the production of more extreme temperatures and pressures within the system, heat loss during the storage period, and inability to exploit environmental (e.g., cogenerative) heat sources and sinks during expansion and compression, respectively. In an isothermal system, the cost of adding a heat-exchange system is traded against resolving the difficulties of the adiabatic approach. In either case, mechanical energy from expanding gas must usually be converted to electrical energy before use.

An efficient and novel design for storing energy in the form of compressed gas utilizing near isothermal gas compression and expansion has been shown and described in U.S. Pat. No. 7,832,207 (the ‘207 patent) and U.S. patent application Ser. No. 12/639,703 (the ‘703 application), the disclosures of which are hereby incorporated herein by reference in their entireties. The ‘207 patent and the ‘703 application disclose systems and methods for expanding gas isothermally in staged cylinders and intensifiers over a large pressure range in order to generate electrical energy when required. Mechanical energy from the expanding gas may be used to drive a hydraulic pump/motor subsystem that produces electricity. Systems and methods for hydraulic-pneumatic pressure intensification that may be employed in systems and methods such as those disclosed in the ‘207 patent and the ‘703 application are shown and described in U.S. patent application Ser. No. 12/879,595 (the ‘595 application), the disclosure of which is hereby incorporated herein by reference in its entirety.

In the systems disclosed in the ‘207 patent and the ‘703 application, reciprocal mechanical motion is produced during recovery of energy from storage by expansion of gas in the cylinders. This reciprocal motion may be converted to electricity by a variety of means, for example as disclosed in the ‘595 application as well as in U.S. patent application Ser. No. 12/938,853 (the ‘853 application), the disclosure of which is hereby incorporated herein by reference in its entirety. The ability of such systems to either store energy (i.e., use energy to compress gas into a storage reservoir) or produce energy (i.e., expand gas from a storage reservoir to release energy) will be apparent to any person reasonably familiar with the principles of electrical and pneumatic machines.

Gas undergoing expansion tends to cool, while gas undergoing compression tends to heat. To maximize efficiency (i.e., the fraction of elastic potential energy in the compressed gas that is converted to work, or vice versa), gas expansion and compression should be as near isothermal (i.e., constant-temperature) as possible. Various techniques of approximating isothermal expansion and compression may be employed.

For example, as described in U.S. Pat. No. 7,802,426 (the ‘426 patent), the disclosure of which is hereby incorporated by reference herein in its entirety, gas undergoing either compression or expansion may be directed, continuously or in installments, through a heat-exchange subsystem external to the cylinder. The heat-exchange subsystem either rejects heat to the environment (to cool gas undergoing compression) or absorbs heat from the environment (to warm gas undergoing

expansion). An isothermal process may be approximated via judicious selection of this heat-exchange rate.

However, compressed-gas-based systems may be simplified via thermal conditioning of the gas within the cylinder during compression and expansion, rather than via the above-described conditioning external to the cylinder. There is a need for such internal-conditioning systems that enable heat exchange with the gas in an efficient manner.

### SUMMARY

In accordance with various embodiments of the present invention, droplets of a liquid (e.g., water) are sprayed into a chamber of the cylinder in which gas is presently undergoing compression (or expansion) in order to transfer heat to or from the gas. As the liquid droplets exchange heat with the gas around them, the temperature of the gas is raised or lowered; the temperature of the droplets is also raised or lowered. The liquid is evacuated from the cylinder through a suitable mechanism. The heat-exchange spray droplets may be introduced through a spray head (in, e.g., a vertical cylinder), through a spray rod arranged coaxially with the cylinder piston (in, e.g., a horizontal cylinder), or by any other mechanism that permits formation of a liquid spray within the cylinder, as further detailed below. Droplets may be used to either warm gas undergoing expansion or to cool gas undergoing compression. An isothermal process may be approximated via judicious selection of this heat-exchange rate.

Specifically, embodiments of the invention relate to devices that form liquid sprays in a chamber containing either (i) low- to mid-pressure (e.g., up to 300 pounds per square inch gauge [psig]) gas, (ii) high-pressure (e.g., between 300 and 3,000 psig) gas, or (iii) both, to achieve significant heat transfer between the liquid and the gas. The heat transfer between the liquid and the air preferably enables substantially isothermal compression or expansion of the gas within the chamber. An exemplary device may include a plate or surface perforated at a number of points with orifices or nozzles to allow the passage of liquid from one side of the plate (herein termed the first side) to the other (herein termed the second side). A volume of liquid impinges on the first side of the plate: this liquid passes through the orifices or nozzles in the plate into a volume of gas that impinges on the second side of the plate and is at lower pressure than the liquid on the first side. The liquid exiting each nozzle into the gas may break up into droplets as determined by various factors, including but not limited to liquid viscosity, surface tension, pressure, density, and exit velocity; pressure and density of the gas; and nozzle geometry (e.g., nozzle shape and/or size). Herein, the term “nozzle” denotes any channel, orifice, or other device through which a liquid may be made to flow so as to produce a jet or spray at its output by encouraging the breakup of liquid flow into a spray of droplets.

Spray formation may occur via several mechanisms. Liquid (e.g., water) injected into gas at sufficient velocities will typically break up due to the density of the gas into which it is injected. However, it is generally desirable to minimize the injection velocity to minimize the energy needed to create the spray. Therefore, this type of breakup is especially pertinent at mid- to high-pressures where gas density is high, allowing for spray creation even with relatively low water-injection velocities. Thus even simple nozzles (e.g., channels with substantially parallel sides) which form a water jet at the nozzle exit will generally form a spray as gas density causes the water jet to break up into fine droplets.

In the low- to mid-pressure range, however, the air density is typically not great enough to cause the viscous drag needed

to break a water jet up into a spray of small droplets. In this regime, water that exits a nozzle as a jet may remain in a solid jet and not form droplets. Thus, nozzles in accordance with embodiments of the invention may be more complex and incorporate mechanisms to break up water exiting the nozzle into droplets. For example, internal vanes may impart a rotational velocity component to the water as it exits the nozzle. This angular velocity causes the exiting water to diverge from the axis of the water spray, creating a cone of water droplets. Other nozzles may incorporate mechanisms such as corkscrews (i.e., spiral-shaped profiled surfaces) attached to and/or incorporated within the nozzles to break up the exiting water jet and form a cone of water droplets. These mechanisms enable atomized-spray formation for water injected even into low- to mid-pressure gas.

The spray device may include other features that enable it to function within a larger system. For example, a device may be installed within a vertically oriented pneumatic cylinder containing a mobile piston that divides the interior of the cylinder into two discrete chambers, this piston being connected to one or more shafts that transmit force between the piston and mechanical loads outside the cylinder. An above-described spray device, with all the features and components that it may include, is herein termed the “spray head.”

A spray head may be affixed to the upper interior surface of a pneumatic cylinder or within a pneumatic chamber of another type of cylinder, e.g., a pneumatic/hydraulic cylinder. The spray head is generally perforated by one or more orifices having identical or various sizes, spacings, internal geometries, and cross-sectional forms, which produce droplet sprays within the gas-filled volume below the spray head. At the point of spray formation, droplets appear with velocity vectors scattered randomly over a certain solid angle ( $\leq 2\pi$  steradians) centered on the vertical and pointing generally downward, forming a spray cone. At any pressure greater than zero and given a sufficiently large gas volume, the horizontal component of any particular droplet’s momentum will eventually be dissipated by frictional interaction with the gas, after which the droplet will, in the ideal case, begin to fall vertically at a fixed terminal velocity. (The droplet may be perturbed from vertical fall by motions of the gas, such as those produced by convection or other turbulence.) For each droplet, both the limit of horizontal travel and the terminal velocity during vertical fall are determined largely by gas density and droplet size.

As a consequence of limited horizontal travel and vertical terminal velocity, the spray cone produced by each spray-producing nozzle will typically, at some distance beneath the nozzle, become a column of droplets falling at constant speed. Because the density of a gas at high pressure is higher than that of the same gas at low pressure (at a given temperature), the horizontal distance traveled by a droplet of a given size and initial velocity is smaller in high-pressure gas than in low-pressure gas. Likewise, the droplet’s terminal velocity is lower in high-pressure gas. Therefore, in high-pressure gas, a column of droplets forming beneath a spray orifice tends to be narrower and slower-falling than a column that forms under the same orifice in low-pressure gas.

In order to maximize heat transfer between the droplets and the gas, embodiments of the invention preferably bring as much gas as possible into contact with as much droplet surface area as possible as the droplets fall through the gas. That is, the gas volume is generally filled or nearly filled with falling droplets. The spray cone or column of droplets produced by a single nozzle will not, in general, be wide enough to fill the gas volume. For mid- or high-pressure gas, the droplet column will generally be narrower, tending to require

5

a larger number of orifices: in particular, the number of orifices required to fill or cover with spray a given volume of gas will be approximately proportional to the inverse of the square of the radius of the column. Thus, for example, halving spray-column radius while keeping the spray-head area constant will typically increase the number of orifices required by a factor of about four.

Alternatively, the initial velocity of spray droplets at each spray-head orifice, and consequently the width of the resulting spray column, may be increased by injecting liquid through the spray head at higher velocity. Injection of liquid at increased velocity requires increased difference between the pressure of the liquid on first side of the spray head and the pressure on the second side (this difference being termed  $\Delta P$ ). Raising the liquid by larger  $\Delta P$  would consume more energy. Higher-pressure injection will typically increase the distance at which a spray cone transitions into a column of falling droplets, therefore widening the column of spray droplets produced by each nozzle, but will typically also consume more energy and therefore will tend not to increase the energy efficiency of spray generation.

Moreover, if the gas volume has the form of a straight-sided torus due to the presence of a piston shaft within the cylinder, a single nozzle cannot in principle cover the whole interior volume with falling droplets due to the obstructive effect of the shaft.

Maximization of heat transfer with simultaneous minimization of energy consumed in generating the heat-transfer spray, therefore, generally requires multiple spray nozzles. Consequently, embodiments of the invention contain multiple spray nozzles and substantially cover the upper surface of the gas-filled chamber into which it injects spray. The spray-head surface may have an annular shape in embodiments where it surrounds a piston shaft, may be disc-shaped in embodiments where it is mounted on the end of a mobile piston, and may be otherwise shaped depending on a particular application.

Embodiments of the invention feature multiple simple or complex nozzles on the upper surface of a pneumatic chamber such that the spray cones or columns produced by these nozzles overlap and/or interact with each other, and thus leave minimal gas volume, if any, unfilled by spray. All or almost all of the gas volume is thus exposed to liquid spray as gravity pulls the columns of droplets downward from the spray head. In high-gas-pressure embodiments, where horizontal travel of spray droplets is small (e.g., due to high gas density), many close-spaced orifices may be utilized to fill all or nearly all of the gas volume with falling spray.

Generally, embodiments of the invention generate a considerably uniform spray within a pneumatic chamber and/or cylinder via at least one spray head with multiple nozzles, where the pressure drop across the spray-head orifices does not exceed 50 psi and the spray volumetric flow is sufficient to achieve heat exchange necessary to achieve substantially isothermal expansion or compression. In one embodiment, the heat exchange power per unit flow in kW per GPM (gallons per minute) per degree C. exceeds 0.10. The geometry of each nozzle may be selected to produce droplets having a diameter of about 0.2 mm to about 1.0 mm. Additionally, the plurality of orifices may be configured to maintain a pressure drop of the heat-transfer fluid at less than approximately 50 psi during introduction thereof and/or at least a portion of the plurality of orifices may have divergent cross-sectional profiles. In high-pressure-gas embodiments, the orifices may be configured and arranged in a manner to maintain a Weber value of the high-pressure gas sufficient to maintain the spray in a form comprising or consisting essentially of substantially indi-

6

vidual droplets. In one embodiment, the orifices are configured to maintain the Weber value of the high-pressure gas at a value of at least 40.

Embodiments of the invention include features that enable efficient installation within a pneumatic chamber and/or cylinder, and may also include features that enable efficient provision of liquid from an exterior source to the interior of the device for transmission through the orifices in the plate.

Embodiments of the invention also increase the efficiency with which varying amounts of a heat-exchange liquid are sprayed into a pneumatic compressor-expander cylinder, thus minimizing the energy required to maintain substantially isothermal compression or expansion of a gas within the cylinder. Various embodiments of the invention enable the injection of heat-exchange liquid at two or more distinct rates of flow into one or both chambers of a pneumatic compressor-expander cylinder by equipping the spray mechanism within each chamber with two or more groups of spray-generating nozzles, where the flow of heat-exchange liquid through each nozzle group may be actuated independently. Recruitment of additional nozzle groups allows total flow rate to be increased by a given amount without increasing the power used to pump the liquid as much as would be required if the number of nozzles were fixed.

During expansion of gas from storage in certain systems such as those disclosed in the '207 patent and the '703 application, the pressure of a quantity of gas within one chamber of a pneumatic or pneumatic-hydraulic cylinder exerts a force upon a piston and attached rod slidably disposed within the cylinder. The force exerted by the gas upon the piston and rod causes the piston and rod to move. As described by the Ideal Gas Law, the temperature of the gas undergoing expansion tends to decrease. To control the temperature of the quantity of gas being expanded within the cylinder (e.g., to hold it constant, that is, to produce isothermal expansion), a heat-exchange liquid may be sprayed into the chamber containing the expanding gas. The spray may be generated by pumping the heat-exchange liquid through one or more nozzles, as detailed above. If the liquid is at a higher temperature than that of the gas in the chamber, then heat will flow from the droplets to the gas in the chamber, warming the gas.

Similarly, when gas is compressed in the cylinder, as described by the Ideal Gas Law, the temperature of the gas undergoing compression tends to increase. Heat-exchange liquid may be sprayed into the chamber containing the gas undergoing compression. If the liquid is at a lower temperature than that of the gas in the chamber, then heat will flow from the gas in the chamber to the droplets, cooling the gas.

The maximum amount of heat  $Q$  to be added to or removed from the gas in a chamber of the cylinder by a given mass  $m$  of heat-exchange liquid spray is  $Q=mc\Delta T$ , where  $c$  is the specific heat of the liquid and  $\Delta T$  is the difference between the initial temperature of the liquid and the final temperature of the liquid (i.e., temperature of the liquid when it has reached thermal equilibrium with the gas). Assuming that  $c$  and  $\Delta T$  are fixed, the only way to alter  $Q$  is to alter  $m$ . In particular, to exchange more heat between the heat-exchange liquid and the gas in the cylinder chamber,  $m$  is increased.

The mass  $m$  of heat-exchange liquid entering the cylinder chamber in a given time interval is given by flow rate  $q$  and fluid density  $p$ . Here,  $m$  has units of kg,  $q$  has units of  $m^3/s$ , and  $p$  has units of  $kg/m^3$ . Thus, to add or remove more heat from the gas in the cylinder chamber for a heat-exchange liquid with near-constant density  $p$ , the flow rate  $q$  of the heat-exchange liquid is increased.

When liquid flows through a nozzle or orifice, it encounters resistance. This resistance is associated with a pressure drop

$\Delta p$  from the input side of the nozzle to the output side. The pressure drop across (i.e., through) the nozzle depends on the characteristics of a particular nozzle, including its shape, and on the flow rate  $q$ . In particular, to increase flow rate  $q$ , the pressure drop  $\Delta p$  is increased. The relationship between flow rate  $q$  and pressure drop  $\Delta p$  has the general form  $q \propto p^n$ ;  $n$  is typically less than 0.50. (This may also be expressed as  $p \propto q^{1/n}$ ) Moreover, the spraying power  $P$  consumed by forcing liquid at rate  $q$  through a nozzle with a constant pressure drop  $\Delta p$  is  $P = \Delta p q$ . Substituting  $\Delta p \propto q^{1/n}$  for  $\Delta p$  in  $P = \Delta p q$  gives  $P \propto q q^{1/n} = q^{1/n+1}$ . If, for example,  $n=0.5$ , then  $P \propto q^{1/0.5+1} = q^{1/0.5+1} = q^3$ . Thus, the power required to achieve a given amount of flow through a single nozzle—and therefore through any fixed number of nozzles—increases geometrically with flow rate. As a consequence, doubling the flow rate more than doubles the required spraying power.

The rate of heat transfer between the gas in the pneumatic cylinder chamber and the heat-exchange liquid spray is proportional to the flow rate and bears a similar relation to spraying power as does the flow rate. Specifically, from  $Q = m c \Delta T$  we have  $dQ/dt = p q c \Delta T$ , where  $t$  is time,  $p$  is liquid density,  $q$  is liquid flow rate,  $\Delta T$  is the difference between the initial temperature of the liquid and the final temperature of the liquid, and  $dQ/dt$  is rate of heat transfer. If  $p$ ,  $c$  and  $\Delta T$  are constant,  $dQ/dt \propto q$ . In the example where  $n=0.5$ , one has  $P \propto q^3$ , which combined with  $dQ/dt \propto q$  gives  $P \propto (dQ/dt)^3$ . The spraying power  $P$  is thus, for an exemplary  $n$  of 0.5, proportional to the third power of the required rate of heat transfer. This result holds for any fixed number of nozzles.

For a required rate of spray heat transfer in a pneumatic cylinder, it is desirable to minimize the spraying power. Preferably, the spray power is minimized to just above the operating point (spray pressure) where a spray of sufficient quality continues to be generated at the output of each nozzle, since, as described above, the rate of heat transfer between the gas in the chamber and the heat-exchange liquid is greatly increased by mixing the heat-exchange liquid with the gas in the form of a spray, which maximizes the area of liquid-gas contact.

The flow rate (and thus rate of heat transfer if spray quality is maintained) may be increased with a less-than-geometric accompanying increase in spraying power by raising the number of active nozzles (i.e., nozzles through which heat-exchange liquid is made to flow) as the flow rate is increased. For example, the flow rate may be doubled by doubling the number of active identical nozzles without changing the flow rate through any individual nozzle. In this case, the spraying power  $P$  per nozzle remains unchanged while the number of nozzles doubles, so total spraying power doubles. In contrast, for a fixed number of identical nozzles, if an exemplary  $n$  of 0.5 is assumed, doubling the rate of heat transfer requires an eightfold increase in the spraying power  $P$ .

Thus, embodiments of the invention decrease the spraying power required while maintaining sufficient pressure drop in each nozzle (i.e., sufficient to create a spray at the output) by making the number of active nozzles proportional to the rate of flow. This proportionality may be exact or approximate.

Embodiments of the invention allow an increased flow rate of heat-exchange liquid through an arrangement of nozzles into a chamber of a pneumatic cylinder without geometric increase in spraying power. Various embodiments of the invention include methods for the introduction of heat-exchange liquid into a chamber of a pneumatic cylinder through a number of nozzles. One or more spray heads, rods, or other contrivances for situating nozzles within the chamber are equipped with two or more sets of nozzles. Each set of nozzles contains one or more nozzles. The sets of nozzles may be interspersed across the surface of the spray head, spray rod, or

other contrivance, or they may be segregated from each other. The nozzles within the various sets may be of uniform type, or of various types. When a relatively low flow rate of heat-exchange liquid is desired, e.g. when the pressure of the gas within the chamber is relatively low, one or more nozzle sets may be employed to spray heat-exchange liquid into the chamber. At higher flow rates, e.g., when the pressure of the gas within the chamber is relatively high, two or more nozzle sets may be employed to spray heat-exchange liquid into the chamber. The identity and number of the nozzle sets employed to spray heat-exchange liquid at any given time may be determined by a control system, an operator, and/or an automatic arrangement of valves. When increased flow rate of heat-exchange liquid is desired in order to increase the rate of heat transfer, additional nozzle sets are activated.

In various embodiments of the invention, the heat-transfer fluid utilized to thermally condition gas within one or more cylinders incorporates one or more additives and/or solutes, as described in U.S. patent application Ser. No. 13/082,808, filed Apr. 8, 2011 (the '808 application), the entire disclosure of which is incorporated herein by reference. As described in the '808 application, the additives and/or solutes may reduce the surface tension of the heat-transfer fluid, reduce the solubility of gas into the heat-transfer fluid, and/or slow dissolution of gas into the heat-transfer fluid. They may also (i) retard or prevent corrosion, (ii) enhance lubricity, (iii) prevent formation of or kill microorganisms (such as bacteria), and/or (iv) include a defoaming agent, as desired for a particular system design or application.

Embodiments of the present invention are typically utilized in energy storage and generation systems utilizing compressed gas. In a compressed-gas energy storage system, gas is stored at high pressure (e.g., approximately 3,000 psi). This gas may be expanded into a cylinder having a first compartment (or "chamber") and a second compartment separated by a piston slidably disposed within the cylinder (or by another boundary mechanism). A shaft may be coupled to the piston and extend through the first compartment and/or the second compartment of the cylinder and beyond an end cap of the cylinder, and a transmission mechanism may be coupled to the shaft for converting a reciprocal motion of the shaft into a rotary motion, as described in the '595 and '853 applications. Moreover, a motor/generator may be coupled to the transmission mechanism. Alternatively or additionally, the shaft of the cylinders may be coupled to one or more linear generators, as described in the '853 application.

As also described in the '853 application, the range of forces produced by expanding a given quantity of gas in a given time may be reduced through the addition of multiple, series-connected cylinder stages. That is, as gas from a high-pressure reservoir is expanded in one chamber of a first, high-pressure cylinder, gas from the other chamber of the first cylinder is directed to the expansion chamber of a second, lower-pressure cylinder. Gas from the lower-pressure chamber of this second cylinder may either be vented to the environment or directed to the expansion chamber of a third cylinder operating at still lower pressure; the third cylinder may be connected to either the environment or to a fourth cylinder; and so on.

The principle may be extended to more than two cylinders to suit particular applications. For example, a narrower output force range for a given range of reservoir pressures is achieved by having a first, high-pressure cylinder operating between, for example, approximately 3,000 psig and approximately 300 psig and a second, larger-volume, lower-pressure cylinder operating between, for example, approximately 300 psig and approximately 30 psig. When two expansion cylin-

ders are used, the range of pressure within either cylinder (and thus the range of force produced by either cylinder) is reduced as the square root relative to the range of pressure (or force) experienced with a single expansion cylinder, e.g., from approximately 100:1 to approximately 10:1 (as set forth in the '853 application). Furthermore, as set forth in the '595 application, N appropriately sized cylinders can reduce an original operating pressure range R to  $R^{1/N}$ . Any group of N cylinders staged in this manner, where  $N \geq 2$ , is herein termed a cylinder group.

All of the approaches described above for converting potential energy in compressed gas into mechanical and electrical energy may, if appropriately designed, be operated in reverse to store electrical energy as potential energy in a compressed gas. Since the accuracy of this statement will be apparent to any person reasonably familiar with the principles of electrical machines, power electronics, pneumatics, and the principles of thermodynamics, the operation of these mechanisms to both store energy and recover it from storage will not be described for each embodiment. Such operation is, however, contemplated and within the scope of the invention and may be straightforwardly realized without undue experimentation.

Embodiments of the invention may be implemented using any of the integrated heat-transfer systems and methods described in the '703 application and/or with the external heat-transfer systems and methods described in the '426 patent. In addition, the systems described herein, and/or other embodiments employing liquid-spray heat exchange or external gas heat exchange, may draw or deliver thermal energy via their heat-exchange mechanisms to external systems (not shown) for purposes of cogeneration, as described in U.S. patent application Ser. No. 12/690,513, filed Jan. 20, 2010 (the '513 application), the entire disclosure of which is incorporated by reference herein.

The compressed-air energy storage and recovery systems described herein are preferably "open-air" systems, i.e., systems that take in air from the ambient atmosphere for compression and vent air back to the ambient atmosphere after expansion, rather than systems that compress and expand a captured volume of gas in a sealed container (i.e., "closed-air" systems). Thus, the systems described herein generally feature one or more cylinder assemblies for the storage and recovery of energy via compression and expansion of gas. Selectively fluidly connected to the cylinder assembly are (i) a reservoir for storage of compressed gas after compression and supply of compressed gas for expansion thereof, and (ii) a vent for exhausting expanded gas to atmosphere after expansion and supply of gas for compression. The reservoir for storage of compressed gas may include or consist essentially of, e.g., one or more one or more pressure vessels (i.e., containers for compressed gas that may have rigid exteriors or may be inflatable, and that may be formed of various suitable materials such as metal or plastic) or caverns (i.e., naturally occurring or artificially created cavities that are typically located underground). Open-air systems typically provide superior energy density relative to closed-air systems.

Furthermore, the systems described herein may be advantageously utilized to harness and recover sources of renewable energy, e.g., wind and solar energy. For example, energy stored during compression of the gas may originate from an intermittent renewable energy source of, e.g., wind or solar energy, and energy may be recovered via expansion of the gas when the intermittent renewable energy source is nonfunctional (i.e., either not producing harnessable energy or producing energy at lower-than-nominal levels). As such, the

systems described herein may be connected to, e.g., solar panels or wind turbines, in order to store the renewable energy generated by such systems.

In one aspect, embodiments of the invention feature a compressed-gas energy storage and recovery system including or consisting essentially of a cylinder assembly for compressing gas to store energy and/or expanding gas to recover energy, and a spray mechanism for introducing heat-transfer fluid within a chamber of the cylinder assembly to exchange heat with gas in the chamber, thereby increasing efficiency of the energy storage and recovery. The spray mechanism includes or consists essentially of a plurality of nozzles for collectively producing an aggregate spray filling substantially an entire volume of the chamber. The aggregate spray includes or consists essentially of a plurality of overlapping individual sprays each produced by one of the plurality of nozzles.

Embodiments of the invention may include one or more of the following, in any of a variety of combinations. Each individual spray may be an atomized spray of individual droplets. The individual droplets may have an average diameter ranging from approximately 0.2 mm to approximately 1 mm. The plurality of nozzles may maintain a Weber value of gas within the chamber of at least 40. Each nozzle may maintain a pressure drop across the nozzle of less than approximately 50 psi. At least one nozzle may have a divergent cross-sectional profile. At least one nozzle may include or consist essentially of a mechanism (e.g., a plurality of vanes and/or a corkscrew) for breaking of the flow of heat-transfer fluid through the nozzle. The system may include a control system for controlling the introduction of heat-transfer fluid into the chamber such that the compression and/or expansion of gas is substantially isothermal. The spray mechanism may occupy approximately the entire top surface of the chamber. The plurality of nozzles may be arranged in a triangular grid such that each nozzle having six nearest-neighbor nozzles is approximately equidistant from each of the six nearest-neighbor nozzles. The plurality of nozzles may be arranged in a plurality of concentric rings.

The system may include a movable boundary mechanism separating the cylinder assembly into two chambers and a rod coupled to the boundary mechanism and extending through at least one of the chambers. The spray mechanism may define a hole therethrough to snugly accommodate the rod. A crankshaft for converting reciprocal motion of the boundary mechanism into rotary motion may be mechanically coupled to the rod. A motor/generator may be coupled to the crankshaft. The spray mechanism may include a threaded connector for engaging a complementary threaded connector disposed within the cylinder assembly. The spray mechanism may include an interior channel (which may be toroidal) for transmitting heat-transfer fluid from a source external to the cylinder assembly to the plurality of nozzles. The system may include at least one o-ring groove configured to accommodate an o-ring for forming a liquid-impermeable seal between the spray mechanism and the interior surface of the chamber.

A compressed-gas reservoir for storage of gas after compression and supply of compressed gas for expansion thereof may be selectively fluidly connected to the cylinder assembly. A vent for exhausting expanded gas to atmosphere and supply of gas for compression thereof may be selectively fluidly connected to the cylinder assembly. An intermittent renewable energy source (e.g., of wind or solar energy) may be connected to the cylinder assembly. Energy stored during compression of gas may originate from the intermittent

renewable energy source, and energy may be recovered via expansion of gas when the intermittent renewable energy source is nonfunctional.

The spray mechanism may include or consist essentially of a spray head or a spray rod. The system may include a circulation apparatus for circulating heat-transfer fluid to the spray mechanism and/or a heat exchanger for maintaining the heat-transfer fluid at a substantially constant temperature. The circulation apparatus may circulate heat-transfer fluid from the cylinder assembly through the heat exchanger and back to the cylinder assembly. The cylinder assembly may include or consist essentially of two separated chambers (e.g., a pneumatic chamber and a hydraulic chamber, or two pneumatic chambers). The system may include a heat-transfer fluid for introduction within the chamber. The heat-transfer fluid may include or consist essentially of water. The plurality of nozzles may be organized into at least two nozzle groups, at least one nozzle group not being active during a portion of a single cycle or compression or expansion.

In another aspect, embodiments of the invention feature a method for improving efficiency of compressed-gas energy storage and recovery. Gas is compressed to store energy and/or expanded to recover energy within a chamber of a cylinder assembly. During the compression and/or expansion, an entire volume of the chamber is substantially filled with an atomized spray of heat-transfer fluid to exchange heat between the gas and the atomized spray, thereby increasing efficiency of the energy storage and recovery. The atomized spray includes or consists essentially of a plurality of overlapping individual sprays each produced within the chamber.

Embodiments of the invention may include one or more of the following, in any of a variety of combinations. The heat exchange between the gas and the atomized spray may render the compression and/or expansion substantially isothermal. Expanded gas may be vented to atmosphere and/or compressed gas may be stored in a compressed-gas reservoir. Energy stored during compression of gas may originate from an intermittent renewable energy source (e.g., of wind or solar energy). Energy may be recovered via expansion of gas when the intermittent renewable energy source is nonfunctional. The individual sprays may be each produced by one of a plurality of nozzles organized into at least two nozzle groups. At least one nozzle group may not be active during a portion of a single cycle of compression or expansion.

In yet another aspect, embodiments of the invention feature a compressed-gas energy storage and recovery system including or consisting essentially of a cylinder assembly for compressing gas to store energy and/or expanding gas to recover energy, an actuating mechanism, and a heat-transfer mechanism for introducing heat-transfer fluid within a chamber of the cylinder assembly to exchange heat with gas in the chamber, thereby increasing efficiency of the energy storage and recovery. The heat-transfer mechanism includes or consists essentially of a plurality of nozzles. The actuating mechanism controls the number of active nozzles introducing heat-transfer fluid within the chamber during a single cycle of compression or expansion of gas.

Embodiments of the invention may include one or more of the following, in any of a variety of combinations. The actuating mechanism may include or consist essentially of at least one cracking-pressure valve. The actuating mechanism may include or consist essentially of a plurality of valves (e.g., each valve being associated with a nozzle) and a control system for controlling the valves based at least on a pressure within the cylinder assembly. The system may include a sensor for measuring the pressure within the cylinder assembly, and the control system may be responsive to the sensor. The

control system may control the cylinder assembly and/or the heat-transfer mechanism to render the compression and/or expansion substantially isothermal. The plurality of nozzles may be substantially identical to each other. At least two nozzles may differ in at least one characteristic, e.g., type, size, and/or throughput. The heat-transfer mechanism may include or consist essentially of a spray head and/or a spray rod. The system may include a heat exchanger and a circulation apparatus for circulating heat-transfer fluid between the heat exchanger and the cylinder assembly. The plurality of nozzles may be organized into at least two nozzle groups, and at least one nozzle group may not be active during a portion of the single cycle of compression or expansion.

A compressed-gas reservoir for storage of gas after compression and supply of compressed gas for expansion thereof may be selectively fluidly connected to the cylinder assembly. A vent for exhausting expanded gas to atmosphere and supply of gas for compression thereof may be selectively fluidly connected to the cylinder assembly. An intermittent renewable energy source (e.g., of wind or solar energy) may be connected to the cylinder assembly. Energy stored during compression of gas may originate from the intermittent renewable energy source, and energy may be recovered via expansion of gas when the intermittent renewable energy source is nonfunctional.

The cylinder assembly may include or consist essentially of two separated chambers (e.g., a pneumatic chamber and a hydraulic chamber, or two pneumatic chambers). The system may include a movable boundary mechanism separating the cylinder assembly into two chambers. A crankshaft for converting reciprocal motion of the boundary mechanism into rotary motion may be mechanically coupled to the boundary mechanism. A motor/generator may be coupled to the crankshaft. The heat-transfer fluid may be introduced within the chamber in the form of an atomized spray filling substantially an entire volume of the chamber.

In another aspect, embodiments of the invention feature a method for improving efficiency of compressed-gas energy storage and recovery. Gas is compressed to store energy and/or expanded to recover energy within a chamber of a cylinder assembly. During the compression and/or expansion, heat-transfer fluid is introduced into the chamber through at least one of a plurality of nozzles to exchange heat with the gas, thereby increasing efficiency of the energy storage and recovery. The number of active nozzles introducing the heat-transfer fluid is based at least in part on a pressure of the gas in the chamber.

Embodiments of the invention may include one or more of the following, in any of a variety of combinations. The heat exchange between the heat-transfer fluid and the gas may render the compression and/or expansion substantially isothermal. Expanded gas may be vented to atmosphere, and/or compressed gas may be stored in a compressed-gas reservoir. Energy stored during compression of gas may originate from an intermittent renewable energy source (e.g., of wind or solar energy). Energy may be recovered via expansion of gas when the intermittent renewable energy source is nonfunctional. The heat-transfer fluid may be recirculated between the chamber and an external heat exchanger to maintain the heat-transfer fluid at a substantially constant temperature. During a first portion of a single cycle of expansion or compression at least one nozzle may not be active. During a second portion of the single cycle of expansion or compression different from the first portion, each of the nozzles may be active. The heat-transfer fluid may be introduced within the chamber in the form of an atomized spray filling substantially the entire volume of the chamber.

In yet another aspect, embodiments of the invention feature a method for energy storage and recovery. Gas is compressed within a chamber of a cylinder assembly to store energy. During the compression, heat-transfer fluid is introduced into the chamber at a rate that increases as the pressure of the gas increases. The heat-transfer fluid exchanges heat with the gas, thereby increasing efficiency of the energy storage.

Embodiments of the invention may include one or more of the following, in any of a variety of combinations. Introducing the heat-transfer fluid may include or consist essentially of increasing the spraying power of heat-transfer fluid at a less-than-geometric rate relative to the rate of introduction. The rate of introduction may be increased by increasing the number of active nozzles introducing the heat-transfer fluid into the chamber. The heat-transfer fluid may be recirculated between the chamber and a heat exchanger to maintain the heat-transfer fluid at a substantially constant temperature. The heat-exchange between the gas and the heat-transfer fluid renders the compression substantially isothermal.

These and other objects, along with advantages and features of the invention, will become more apparent through reference to the following description, the accompanying drawings, and the claims. Furthermore, it is to be understood that the features of the various embodiments described herein are not mutually exclusive and can exist in various combinations and permutations. Note that as used herein, the terms "pipe," "piping" and the like shall refer to one or more conduits that are rated to carry gas or liquid between two points. Thus, the singular term should be taken to include a plurality of parallel conduits where appropriate. Herein, the terms "liquid" and "water" interchangeably connote any mostly or substantially incompressible liquid, the terms "gas" and "air" are used interchangeably, and the term "fluid" may refer to a liquid or a gas unless otherwise indicated. As used herein unless otherwise indicated, the term "substantially" means  $\pm 10\%$ , and, in some embodiments,  $\pm 5\%$ . A "valve" is any mechanism or component for controlling fluid communication between fluid paths or reservoirs, or for selectively permitting control or venting. The term "cylinder" refers to a chamber, of uniform but not necessarily circular cross-section, which may contain a slidably disposed piston or other mechanism that separates the fluid on one side of the chamber from that on the other, preventing fluid movement from one side of the chamber to the other while allowing the transfer of force/pressure from one side of the chamber to the next or to a mechanism outside the chamber. In the absence of a mechanical separation mechanism, a "chamber" or "compartment" of a cylinder may correspond to substantially the entire volume of the cylinder. A "cylinder assembly" may be a simple cylinder or include multiple cylinders, and may or may not have additional associated components (such as mechanical linkages among the cylinders). The shaft of a cylinder may be coupled hydraulically or mechanically to a mechanical load (e.g., a hydraulic motor/pump or a crankshaft) that is in turn coupled to an electrical load (e.g., rotary or linear electric motor/generator attached to power electronics and/or directly to the grid or other loads), as described in the '595 and '853 applications.

#### BRIEF DESCRIPTION OF THE DRAWINGS

In the drawings, like reference characters generally refer to the same parts throughout the different views. Cylinders, rods, and other components are depicted in cross section in a manner that will be intelligible to all persons familiar with the art of pneumatic and hydraulic cylinders. Also, the drawings are not necessarily to scale, emphasis instead generally being

placed upon illustrating the principles of the invention. In the following description, various embodiments of the present invention are described with reference to the following drawings, in which:

FIG. 1 is a schematic diagram of portions of a compressed-air energy storage and recovery system that may be utilized in conjunction with various embodiments of the invention;

FIG. 2 is an illustration of three types of liquid-flow breakup;

FIG. 3 is a chart showing the relationship of liquid-flow breakup to two dimensionless constants;

FIG. 4 is a chart showing the relationship of liquid-flow breakup to two dimensionless constants, with the effect of high air pressure indicated;

FIG. 5 is a table showing variables associated with spray production for various orifice diameters and constant Weber number for air;

FIG. 6 is a plot of water-spray heat-transfer limits estimated mathematically;

FIG. 7 is a plot of droplet trajectory lengths;

FIG. 8 shows three types of orifice cross-section in accordance with various embodiments of the invention;

FIG. 9 is an isometric view of a spray head in accordance with various embodiments of the invention;

FIG. 10 is a plan view of the spray head of FIG. 9;

FIG. 11 is a schematic view of spray coverage from a spray head in accordance with various embodiments of the invention;

FIG. 12 is a side view of the spray head of FIG. 9;

FIG. 13 is an axial cross-section of the spray head of FIG. 9;

FIG. 14 is top-down view of the spray head of FIG. 9;

FIG. 15 is an axial cross section of a double-acting pneumatic cylinder incorporating two of the spray heads shown in FIG. 9;

FIG. 16 is an isometric view of a spray head in accordance with various other embodiments of the invention;

FIG. 17 is a plan view of the spray head of FIG. 16;

FIG. 18 is an assembly view of the spray head of FIG. 16;

FIG. 19 is an axial cross section of the spray head of FIG. 16;

FIG. 20 is bottom view of the spray head of FIG. 16;

FIG. 21 is an axial cross section of a double-acting pneumatic cylinder incorporating two of the spray heads shown in FIG. 16;

FIG. 22A is a schematic drawing of a pneumatic expander-compressor cylinder into which a heat-exchange liquid is injected in accordance with various embodiments of the invention;

FIG. 22B is the system of FIG. 22A in a different state of operation; and

FIG. 23 is a schematic diagram of portions of a compressed-air energy storage and recovery system in accordance with various embodiments of the invention.

#### DETAILED DESCRIPTION

FIG. 1 illustrates portions of a compressed air energy storage and recovery system **100** that may be utilized with embodiments of the present invention. The system **100** includes a cylinder assembly **102**, a heat-transfer subsystem **104**, and a control system **105** for controlling operation of the various components of system **100**. During system operation, compressed air is either directed into vessel **106** (e.g., one or more pressure vessels or caverns) during storage of energy or released from vessel **106** during recovery of stored energy. Air is admitted to the system **100** through vent **108** during

storage of energy, or exhausted from the system **100** through vent **108** during release of energy.

The control system **105** may be any acceptable control device with a human-machine interface. For example, the control system **105** may include a computer (for example a PC-type) that executes a stored control application in the form of a computer-readable software medium. More generally, control system **105** may be realized as software, hardware, or some combination thereof. For example, control system **105** may be implemented on one or more computers, such as a PC having a CPU board containing one or more processors such as the Pentium, Core, Atom, or Celeron family of processors manufactured by Intel Corporation of Santa Clara, Calif., the 680x0 and POWER PC family of processors manufactured by Motorola Corporation of Schaumburg, Ill., and/or the ATHLON line of processors manufactured by Advanced Micro Devices, Inc., of Sunnyvale, Calif. The processor may also include a main memory unit for storing programs and/or data relating to the methods described above. The memory may include random access memory (RAM), read only memory (ROM), and/or FLASH memory residing on commonly available hardware such as one or more application specific integrated circuits (ASIC), field programmable gate arrays (FPGA), electrically erasable programmable read-only memories (EEPROM), programmable read-only memories (PROM), programmable logic devices (PLD), or read-only memory devices (ROM). In some embodiments, the programs may be provided using external RAM and/or ROM such as optical disks, magnetic disks, or other storage devices.

For embodiments in which the functions of controller **105** are provided by software, the program may be written in any one of a number of high-level languages such as FORTRAN, PASCAL, JAVA, C, C++, C#, LISP, PERL, BASIC or any suitable programming language. Additionally, the software can be implemented in an assembly language and/or machine language directed to the microprocessor resident on a target device.

The control system **105** may receive telemetry from sensors monitoring various aspects of the operation of system **100** (as described below), and may provide signals to control valve actuators, valves, motors, and other electromechanical/electronic devices. Control system **105** may communicate with such sensors and/or other components of system **100** via wired or wireless communication. An appropriate interface may be used to convert data from sensors into a form readable by the control system **105** (such as RS-232 or network-based interconnects). Likewise, the interface converts the computer's control signals into a form usable by valves and other actuators to perform an operation. The provision of such interfaces, as well as suitable control programming, is clear to those of ordinary skill in the art and may be provided without undue experimentation.

The cylinder assembly **102** includes a piston **110** (or other suitable boundary mechanism) slidably disposed therein with a center-drilled rod **112** extending from piston **110** and preferably defining a fluid passageway. The piston **110** divides the cylinder assembly **102** into a first chamber (or "compartment") **114** and a second chamber **116**. The rod **112** may be attached to a mechanical load, for example, a crankshaft or hydraulic system. Alternatively or in addition, the second chamber **116** may contain hydraulic fluid that is coupled through other pipes **118** and valves to a hydraulic system **120** (which may include, e.g., a hydraulic motor/pump and an electrical motor/generator). The heat-transfer subsystem **104** includes or consists essentially of a heat exchanger **122** and a booster-pump assembly **124**.

At any time during an expansion or compression phase of gas within the first or upper chamber **114** of the cylinder assembly **102**, the chamber **114** will typically contain a gas **126** (e.g., previously admitted from storage vessel **106** during the expansion phase or from vent **108** during the compression phase) and (e.g., an accumulation of) heat-transfer fluid **128** at substantially equal pressure  $P_s$ , (e.g., up to approximately 3,000 psig). The heat-transfer fluid **128** may be drawn through the center-drilled rod **112** and through a pipe **130** by the pump **124**. The pump **124** raises the pressure of the heat-transfer fluid **128** to a pressure  $P_i'$  (e.g., up to approximately 3,015 psig) somewhat higher than  $P_s$ , as described in U.S. patent application Ser. No. 13/009,409, filed on Jan. 19, 2011 (the '409 application), the entire disclosure of which is incorporated by reference herein. The heat-transfer fluid **128** is then sent through the heat exchanger **122**, where its temperature is altered, and then through a pipe **132** to a spray mechanism **134** disposed within the cylinder assembly **102**. In various embodiments, when the cylinder assembly **102** is operated as an expander, a spray **136** of the heat-transfer fluid **128** is introduced into the cylinder assembly **102** at a higher temperature than the gas **126** and, therefore, transfers thermal energy to the gas **126** and increases the amount of work done by the gas **126** on the piston **110** as the gas **126** expands. In an alternative mode of operation, when the cylinder assembly **102** is operated as a compressor, the heat-transfer fluid **128** is introduced at a lower temperature than the gas **126**. Control system **105** may enforce substantially isothermal operation, i.e., expansion and/or compression of gas in cylinder assembly **102**, via control over, e.g., the introduction of gas into and the exhausting of gas out of cylinder assembly **102**, the rates of compression and/or expansion, and/or the operation of heat-transfer subsystem **104** in response to sensed conditions. For example, control system **105** may be responsive to one or more sensors disposed in or on cylinder assembly **102** for measuring the temperature of the gas and/or the heat-transfer fluid within cylinder assembly **102**, responding to deviations in temperature by issuing control signals that operate one or more of the system components noted above to compensate, in real time, for the sensed temperature deviations. For example, in response to a temperature increase within cylinder assembly **102**, control system **105** may issue commands to increase the flow rate of spray **136** of heat-transfer fluid **128**.

The circulating system **124** described above will typically have higher efficiency than a system which pumps liquid from a low intake pressure (e.g., approximately 0 psig) to  $P_i'$ , as detailed in the '409 application.

Furthermore, embodiments of the invention may be applied to systems in which chamber **114** is in fluid communication with a pneumatic chamber of a second cylinder (rather than with vessel **106**). That second cylinder, in turn, may communicate similarly with a third cylinder, and so forth. Any number of cylinders may be linked in this way. These cylinders may be connected in parallel or in a series configuration, where the compression and expansion is done in multiple stages.

The fluid circuit of heat exchanger **122** may be filled with water, a coolant mixture, and/or any acceptable heat-transfer medium. In alternative embodiments, a gas, such as air or refrigerant, is used as the heat-transfer medium. In general, the fluid is routed by conduits to a large reservoir of such fluid in a closed or open loop. One example of an open loop is a well or body of water from which ambient water is drawn and the exhaust water is delivered to a different location, for example, downstream in a river. In a closed-loop embodiment, a cooling tower may cycle the water through the air for



return to the heat exchanger. Likewise, water may pass through a submerged or buried coil of continuous piping where a counter heat-exchange occurs to return the fluid flow to ambient temperature before it returns to the heat exchanger for another cycle.

In various embodiments, the heat-exchange fluid is conditioned (i.e., pre-heated and/or pre-chilled) or used for heating or cooling needs by connecting the fluid inlet **138** and fluid outlet **140** of the external heat exchange side of the heat exchanger **122** to an installation (not shown) such as a heat-engine power plant, an industrial process with waste heat, a heat pump, and/or a building needing space heating or cooling, as described in the '513 application. The installation may be a large water reservoir that acts as a constant-temperature thermal fluid source for use with the system. Alternatively, the water reservoir may be thermally linked to waste heat from an industrial process or the like, as described above, via another heat exchanger contained within the installation. This allows the heat-transfer fluid to acquire or expel heat from/to the linked process, depending on configuration, for later use as a heating/cooling medium in the compressed air energy storage/conversion system.

For the system **100** in FIG. **1**, isothermal efficiency during gas expansion may be defined as the ratio of the actual work done on the piston to the theoretical work that could have been done on the piston if the gas expansion occurred perfectly isothermally. Total expansion efficiency may be defined as the ratio of the actual work done on the piston (less the expenditure of energy to produce the liquid spray) to the theoretical work that could have been done on the piston if the gas expansion occurred perfectly isothermally.

The efficiency of spray mechanisms such as spray mechanism **134** is increased in accordance with various embodiments of the present invention. Total expansion efficiency depends partly on (a) the behavior of the liquid injected into the gas and (b) the energy required to inject the liquid into the gas. Regarding the behavior of the liquid injected into the gas, the rate at which heat may be transferred to or from a given quantity of liquid to a given quantity of gas is generally proportional to the area of contact between the two (i.e., liquid surface area). When a given volume of liquid is reduced to  $N$  spherical droplets, the total surface area of the droplets is proportional to  $N^{2/3}$ . Atomization of the liquid during injection (i.e., large  $N$ , creation of a fine spray) is therefore generally conducive to more rapid heat transfer. For a given droplet residence time in the gas, more-rapid heat transfer also typically entails larger total heat transfer.

The energy required to inject the liquid into the gas is the energy required to force water through the spray mechanism **134**. In general, for a given liquid flow rate (e.g., gallons per minute) through each orifice, larger orifices in the spray mechanism **134** will entail a smaller liquid pressure drop ( $\Delta P$ ) from the interior of the spray mechanism **134** to the interior of chamber **114** and therefore less expenditure of energy ( $E_i$ ) to inject a given volume ( $V_T$ ) of heat-transfer liquid:  $E_i = V_T \times \Delta P$ .

However, in attempting to increase efficiency, the above considerations may be at odds. Higher injection velocity through an orifice of given size tends to result in a finer spray and more surface area (which pertains to consideration (a)) but also requires a larger  $\Delta P$  and therefore a greater expenditure of energy (which pertains to consideration (b)). On the other hand, for a given rate of liquid flow per orifice, a larger orifice will entail a lower pressure drop  $\Delta P$  and therefore lower injection energy  $E_i$  per unit of heat-transfer liquid, but above a certain diameter a larger orifice will tend to produce a narrow jet rather than a fine spray.  $E_i$  will thus be lower for a larger orifice (for a fixed flow rate), but so will droplet count

$N$  per unit of liquid volume, with a correspondingly lower rate of heat transfer. Therefore, to inject heat-exchange liquid in a manner that increases or maximizes total efficiency, it is necessary to consider in detail the behavior of a liquid injected into a gas, that is, liquid-phase dispersion (liquid breakup) in a liquid-gas system.

FIG. **2** is an illustration of three types or regimes of liquid phase breakup. After exiting an orifice, a stream of liquid entering a volume of gas will eventually break up, forming drops. The location, form, number, and motions of the drops depend complexly on the character of the liquid flow through the orifice (e.g., velocity) and the physical properties (e.g., viscosity, density, surface tension) of both the liquid and the gas. For brevity, this discussion ignores the dripping regime, in which large droplets of approximately uniform size form at the orifice outlet.

Under conditions where a jet is produced at the orifice outlet, three basic types or regimes of liquid phase breakup and their relationship to liquid properties have been defined in W. Ohnesorge, "Formation of drops by nozzles and the breakup of liquid jets," *Zeitschrift für Angewandte Mathematik and Mechanik* [Applied Mathematics and Mechanics], vol. 16, pp. 355-358 (1936) (the "Ohnesorge reference"), the entire disclosure of which is incorporated by reference herein. In a first regime **200** shown in FIG. **2**, a liquid jet eventually breaks up into large droplets. In a second regime **210**, a jet breaks up into droplets and rapidly changing vermiform bodies termed ligaments. In a third regime **220**, the liquid atomizes quickly after exiting the orifice, i.e., forms a spray consisting of a large number of small droplets.

FIG. **3** is a chart adapted from the Ohnesorge reference. In this chart, the three breakup regimes (labeled Droplet, Wave & Droplet, and Spray) are shown as functions of two dimensionless numbers, namely the Reynolds number (horizontal axis) and the Ohnesorge number (vertical axis). The Reynolds number ( $Re$ ) is a function of the liquid velocity at exit from the hole ( $v$ ), hole diameter ( $D$ ), liquid density ( $\rho$ ), and liquid dynamic viscosity ( $\mu$ ):  $Re = \rho v D / \mu$ . The Ohnesorge number ( $Oh$ ) is a function of hole diameter ( $D$ ), liquid density ( $\rho$ ), liquid dynamic viscosity ( $\mu$ ), and liquid surface tension ( $\sigma$ ):  $Oh = \mu / (\sigma \rho D)^{1/2}$ . For a particular case of liquid flow from an orifice, the ratio of  $Re$  to  $Oh$  generally determines the type of breakup that will occur. For a liquid (e.g., water) having a fixed dynamic viscosity, density, and surface tension, a flow's Ohnesorge number (vertical coordinate on the chart) is determined by orifice diameter and its Reynolds number (horizontal coordinate) is determined by jet velocity. In FIG. **3**, a line **300** denotes the transition from the Spray regime to the Wave & Droplet regime; another line **302** denotes the transition from the Wave & Droplet regime to the Droplet regime.

An operating point further to the right of line **300** in FIG. **3** will create a finer spray and therefore a greater total droplet surface area, which increases heat transfer, and tends to increase total expansion efficiency. However, because an operating point further to the right of line **300** requires a greater liquid velocity, it also requires a greater spray energy (energy required to generate the spray), which tends to decrease total system efficiency.

The chart shown in FIG. **3** is generally valid for liquid injection into gas at atmospheric pressure. At higher gas pressures, the aerodynamic forces acting on a jet of a given size are greater and atomization therefore occurs at lower velocities (lower Reynolds number,  $Re$ ). FIG. **4** is a variation of the chart shown in FIG. **3** modified to reflect higher gas pressure. Five atomization operating points are denoted by dots **400** placed on the line **300** that in FIG. **3** corresponds to the boundary between spray (atomization) breakup and wave-

and-droplet breakup at atmospheric pressure. For an air pressure of approximately 3,000 psig, atomization tends to occur at lower jet velocities than at atmospheric pressure. Since Reynolds number  $Re$  is proportional to velocity, the boundary line between wave-and-droplet breakup and spray breakup is effectively shifted to the left (i.e., to lower Reynolds numbers) by increased air pressure. This shifted boundary is indicated by a dashed line **404**. In this illustrative example, raising the air pressure to approximately 3,000 psig has the effect of shifting the five operating points **400** leftward to new locations **402** on the dashed boundary line **404**. That is, all other parameters being held equal, a jet will typically atomize at lower velocity in approximately-3,000-psig air. Lower jet velocity corresponds to lower pressure drop  $\Delta P$  through each spray-head orifice and, therefore, to lower injection energy  $E_i$ . Dashed boundary line **404** corresponds to Weber number for air (herein denoted  $We_{air} \geq 40$ ). The Weber number of air  $We_{air}$  is a function of hole diameter ( $D$ ), air density ( $\rho_{air}$ ), liquid injection velocity ( $v$ ), and liquid surface tension ( $\sigma$ ):  $We_{air} = \rho_{air} v^2 D / \sigma$ .

FIG. **5** is a table of projections of the energy required to produce an atomized spray by forcing fluid through a spray head assuming five different orifice diameters (100  $\mu\text{m}$ , 300  $\mu\text{m}$ , 500  $\mu\text{m}$ , 700  $\mu\text{m}$ , and 900  $\mu\text{m}$ ) calculated from the chart of FIG. **3** and taking into account the higher density of air at approximately 20 bar (an exemplary pressure into which an atomized spray may be injected in accordance with various embodiments of the invention). Given hole diameters of various sizes and the Weber number for air  $We_{air} \geq 40$  selected for atomized spray formation, the required liquid orifice-exit velocity may be calculated and is provided in the third column of FIG. **5**. Knowing the liquid orifice-exit velocity, the pressure drop across the orifice (i.e., from the first side of the spray head to the second side of the spray head) may be calculated and is provided in the fourth column of FIG. **5**.

Furthermore, having specified the hole diameter and flow velocity in the first and third columns, and having knowledge of the specific heat of water, one may use the total flow per kW of per degree Celsius (heat-transfer coefficient) and an assumed temperature change of the injected fluid (here 5° C.) to calculate the number of orifices needed: this number is provided here in the fifth column of FIG. **5**.

Finally, the energy consumed in forcing the heat-exchange liquid through the orifices may then be calculated from the pressure drop and flow rate (flow rate coming from the number of holes, velocity and area of the holes), and is provided in the sixth column. This figure is typically a minimum, as forcing the liquid through the orifices at still higher velocities will also produce atomized flows, albeit at higher energy cost.

FIG. **6** is a graph of calculated water spray heat-transfer rate limits for a range of water droplet sizes (25  $\mu\text{m}$ -900  $\mu\text{m}$ ) for two extremes of water breakup behavior, namely solid jet and atomized spray, in air at 3,000 psig and at 300 psig. The horizontal axis is jet or droplet size. The vertical axis is kilowatts per GPM per degree C. change in the temperature of the injected water (kW/GPM/° C.). The upper curves **600**, **610** denote kW/GPM/° C. for fully atomized injection (i.e., all injected water forms droplets falling at their terminal velocity) at 300 psig and 3,000 psig respectively, and correspond to highly efficient heat transfer. The lower curves **620**, **630** denote kW/GPM/° C. for jet-only injection (i.e., no droplet breakup, and the jets propagating at 9.1 m/s injection velocity) at 300 psig and 3,000 psig respectively, and correspond to minimally efficient heat transfer. Due to non-idealities, real-world heat transfer will typically occur along some curve between these two sets of extremes.

From the values in the sixth column of FIG. **5**, increasing orifice size tends to require less injection energy; however, from the drop-off of the upper curves **600**, **610** in FIG. **6**, maximal heat transfer (kW/GPM/° C.) tends to decline with increasing orifice size. Total efficiency therefore generally may not be increased simply by using very large orifice sizes. On the other hand, small orifices are more likely to be clogged by particles entrained in the liquid flow.

FIG. **7** is a plot of droplet trajectories for a horizontal injection velocity of 35.2 m/s and droplet diameter of 100  $\mu\text{m}$  for injection into a range of gas pressures. Curves **700**, **710**, **720**, **730**, and **740** respectively correspond to pressures of 294 psig, 735 psig, 1470 psig, 2205 psig, and 2940 psig. FIG. **7** relates to another aspect of efficient heat-transfer using injected liquid sprays, namely volume coverage by individual sprays. At the point of spray formation outside an orifice, droplets of various sizes appear with velocity vectors scattered randomly over a certain solid angle ( $\cong 2\pi$  steradians) centered on the vertical. As a droplet travels through the gas its horizontal momentum is dissipated by interaction with the gas and it is accelerated vertically by gravity. After the horizontal component of a droplet's momentum has been dissipated, the droplet tends to fall vertically at a constant terminal velocity determined primarily by droplet size and gas density. FIG. **7** shows trajectories of droplets that receive a purely horizontal initial velocity of 35.2 m/s from an orifice. The horizontal momentum of a droplet is more quickly dissipated in a higher-pressure gas, which is relatively denser. This loss of horizontal droplet momentum in denser gas manifests in FIG. **7** as shorter horizontal distance traveled. Smaller droplets are generally superior for rapid heat transfer, both because a more finely atomized volume of heat-transfer liquid presents a larger liquid-gas surface area and because while falling they attain lower terminal velocities and thus dwell longer in the gas column. However, FIG. **7** illustrates the fact that smaller droplets (e.g., 100  $\mu\text{m}$ ) travel shorter horizontal distances in high-pressure gas. This constrains the width of the falling-droplet column that tends to form under each spray orifice and therefore increases the number of orifices required to fill a gas column of given horizontal cross-section with falling droplets.

In accordance with various embodiments of the invention, the geometry of each nozzle is selected to produce droplets having a diameter of about 0.2 mm to about 1.0 mm. Additionally, the nozzles may be configured to maintain a pressure drop of the heat-transfer fluid at less than approximately 50 psi during introduction thereof.

Droplets with smaller diameters will generally have lower terminal velocities than larger droplets. In higher-pressure air, droplet terminal velocities further decrease, so that drops having small diameters (e.g., less than 0.2 mm) may not reach all areas of a cylinder volume during a compression or expansion process. Additionally, nozzles configured to achieve even smaller average drop sizes than 0.2 mm (e.g., 0.05 mm) tend to require either substantially higher pressure drops or much smaller orifice sizes. Higher pressure drops require more pumping power, and larger quantities of smaller orifices may be more expensive and more prone to failure and clogging. Therefore, practicalities of droplet generation and distribution tend not to favor the generation of very small droplets, and optimal droplet size for a given cylinder assembly will be determined by a combination of factors. Among these factors, air pressures and piston speeds will tend to be more significant than cylinder diameter. For a liquid spray for isothermal-type compressed air systems as described herein, droplets having diameters of about 0.2 mm to about 1.0 mm both (a) effectively cover the volume of the cylinder chamber

and (b) require relatively low pumping powers. For an exemplary system with two compression stages (e.g., the first stage compressing from 0 psig to 250 psig and the second stage compressing from 250 psig to 3000 psig), low-pressure cylinder diameters may be approximately 20 inches to approximately 50 inches (e.g., approximately 24 inches to approximately 42 inches) and high-pressure cylinder diameters may be approximately 6 inches to approximately 15 inches (e.g., approximately 8 inches to approximately 12 inches). Stroke lengths may be approximately 20 inches to approximately 80 inches (e.g., approximately 30 inches to approximately 60 inches). Peak piston speeds may be between 3 and 15 feet per second. In various embodiments, any of the above-described cylinders are utilized singly or in systems featuring two or more cylinders (that are identical to or different from each other).

FIG. 8 pertains to another aspect of efficient heat-transfer using liquid sprays injected into gas, namely the effect of spray-head channel geometry on spray generation. FIG. 8 shows three possible types of spray-channel cross-sections, namely convergent profile 800, parallel profile 802, and divergent profile 804. The material of the plate through which the channels pass may be metal, ceramic, or any other rigid substance of sufficient strength. Liquid flow through each channel is indicated by arrows 806. The space above the plate through which the channels pass is presumed to be filled with liquid and the space below the plate is presumed to be filled primarily with gas. All three channel types shown in FIG. 8 may be readily manufactured using known techniques, such as mechanical drilling and laser drilling. Channel cross-section affects the mode of liquid flow through the channel and, consequently, the mode of jet or spray formation at the outlet of the channel (i.e., at the spray orifice). Our experimental work shows that for simple nozzles the divergent channel type 804 produces an atomized, well-dispersed spray with the least energy expenditure at a given gas pressure. Spray energy may also be reduced by use of more complex nozzle designs such as axial full-cone spray nozzles with internal vanes, large free-passage helical nozzles, and angled vaneless spray nozzles, all of which are available commercially from companies such as Spraying Systems Corporation in Wheaton, Ill.

FIG. 9 is an isometric view of an illustrative embodiment of the invention in the form of a spray head 900 configured for mounting within, e.g., a vertically-oriented pneumatic cylinder having a cylindrical interior cross section. As shown, the spray head 900 has the form of a round, straight-sided torus approximately 18 cm in exterior diameter, although other shapes (e.g., disc, square) and dimensions are within the scope of the invention. The faceplate 910 of the spray head 900 is perforated by a number of orifices 920 that are each approximately 900  $\mu$ m in diameter. The orifices 920 are arranged in a triangular grid so that, in the ideal or infinitely extended grid, each orifice 920 is approximately 1 cm from each of its six nearest neighbors (where each orifice and its six nearest neighbors collectively define a hexagon centered on the orifice and having approximately equal sides). Other arrangements of orifices 920 may be employed in accordance with embodiments of the invention. For example, concentric rings of orifices 920 may be centered on a central opening 930 of the spray head 900.

The spray head 900 may be mounted horizontally within a vertically-oriented cylinder with its faceplate 910 facing downward at the top of a gas-filled chamber within the cylinder (for example, in cylinder assembly 102). A piston shaft typically passes snugly through the circular central opening 930 of the spray head 900 and the lateral surface 940 of the spray head 900 is typically in snug contact with the cylindri-

cal inner wall of the cylinder. The open horizontal area at the top of the cylinder chamber may be wholly occupied by the faceplate 910 of the spray head 900. Each orifice 920 communicates with the upper side of the faceplate 910 through a channel that may be convergent, straight-sided, or divergent, as shown in FIG. 8, or which may have some other configuration (and/or may incorporate mechanisms such as vanes inside, as described above).

The spray head 900 is primarily affixed to the cylinder by means of a threaded protruding collar (1200 in FIGS. 12 and 13) on its upper side. To prevent the threaded collar from backing out during operation, two set-screws (or some other suitable number of set-screws) may be inserted through the spray head 900 through openings 950. Since the spray head 900 preferably fits snugly into the cylinder and around a central piston rod, provision is generally made for applying torque to the spray head 900 in order to screw its threaded collar (1200 in FIGS. 12, 13) into a matching thread in the upper end of the cylinder. Four notches 960 (or some other suitable number of notches 960) may be provided to enable a tool to apply torque to the spray head 900 during installation; however, other methods of securing the spray head within the cylinder are contemplated and considered within the scope of the invention.

Heat-exchange liquid is conveyed to the channels of the orifices 920 through an arrangement of channels or hollows in the body of the spray head (see FIGS. 13 and 14) from a source exterior to the cylinder. Heat-exchange liquid issues from the orifices 920 into the gas-filled chamber of the cylinder. If injection pressure is sufficient, the liquid will form an atomized spray upon exiting each orifice. In an illustrative embodiment of the invention, injection pressure drop from the interior of the spray head 900 to the exterior is in the range of approximately 30 psi to approximately 70 psi, for example approximately 50 psi. This illustrative embodiment will efficiently produce a spray effective for purposes of heat transfer during injection into gas over the approximate pressure range of 3,000 psi to 300 psi (e.g., during expansion to 300 psi of a quantity of gas starting at 3,000 psi or during compression to 3,000 psi of a quantity of gas starting at 300 psi).

FIG. 10 is a plan view of the lower surface of spray head 900. When the spray head 900 is installed, the hole 930 is typically filled with the cylinder piston rod and the lateral surface 940 of the spray head 900 is in contact with the interior wall of the cylinder. In this view, in one state of operation, liquid spray is directed out of the page.

FIG. 11 is a schematic view of spray coverage from a spray head 1100 resembling spray head 900 but having a smaller central hole 1110 and fewer orifices (not explicitly shown). Due to air resistance, the spray droplets from each spray-head orifice travel a limited horizontal distance before beginning to fall approximately vertically (i.e., out of the page) at their terminal velocity. Each orifice therefore tends to produce a column of vertically falling droplets centered under it. The approximate cross-sectional widths and locations of a number of such columns are shown in FIG. 11 by circles 1120. In various preferred embodiments of the invention, the orifices are spaced so that when liquid is being injected into high-pressure gas at an appropriate injection pressure, the columns of falling spray overlap or interact with each other, entirely or almost entirely filling the column of gas contained within the chamber of the cylinder and maximizing the rate of liquid-gas heat transfer. In a preferred embodiment, droplets of liquid fill or rain through substantially the entire gas volume of the chamber of the cylinder, e.g., with only a few (for example, 1 to 5) droplet diameters of gas-filled space between any two falling drops. In this preferred embodiment, a minimal

amount of fluid runs down the sides of the cylinder body (e.g., after droplets impact the sides of the cylinder body), and the majority of the fluid is raining through the gas.

FIG. 12 is a side view of the spray head 900. The lower surface of the faceplate 910 of the spray head 900 is shown edge-on. One notch 960 for the torque-applying insertion tool described above is visible. As previously described, the spray head 900 includes a protruding threaded collar 1200. The outer lateral face of the collar 1200 is preferably threaded (threads not shown) and screws into a complementary threaded opening disposed in the top of the cylinder.

FIG. 13 is an axial cross section of the spray head 900, in which the faceplate 910 of the spray head 900 is shown edge-on. A toroidal or ring-shaped channel 1300 (visible in cross-section in FIG. 13) is disposed in the upper surface of the spray head 900 and, during operation of the spray head 900, is partially or substantially filled with a pressurized liquid from an exterior source admitted through inlets in the upper end of the cylinder (not shown). When the spray head 900 is screwed into position, o-rings within o-ring grooves 1310, 1320 seal the spray head 900 against the inside of the cylinder and prevent fluid within channel 1300 from exiting around the o-ring grooves 1310, 1320 into the cylinder.

Six holes 1330 (two of which are visible in cross-section in FIG. 13 and all of which are visible end-on in FIG. 14) pass through the floor of channel 1300 to a second ring-shaped channel 1340 within the spray head 900. This interior channel 1340 conducts liquid to the faceplate 910 and spray orifices 920. When the spray head 900 is screwed into position, there may be no precise control over its final angular orientation, but the upper-surface channel 1300, holes 1330, and interior channel 1340 ensure that, regardless of the orientation of the fully installed spray head 900 with respect to the liquid inlets in the upper end of the cylinder, liquid may flow unimpeded to the spray orifices 920.

FIG. 14 is a top-down view of the spray head 900, in which the upper ring-shaped channel 1300 is fully visible, as are the six holes 1330 that communicate with the inner ring-shaped channel 1340 (FIG. 13). As shown, six holes 1330 are arranged at equal distances apart about the inner ring-shaped channel; however, any number and arrangement of holes 1330 may be used to suit a particular application. The two set-screw clearance holes 950 are also visible.

FIG. 15 is a cross-sectional side view of one illustrative embodiment of the invention utilizing a spray head as described herein. A high-pressure cylinder 1500 contains a piston 1510 that is attached to two shafts 1520, 1530 that pass through opposite ends of the cylinder 1500. One spray head 1540 of the design described with respect to FIG. 9 is mounted in the upper end of the cylinder 1500. A second spray head 1550 of the design described with respect to FIG. 9 is mounted on the lower surface of the piston 1510. Liquid is conveyed to the upper spray head 1540 directly through the upper end of the cylinder. A center-drilled channel 1560 within shaft 1520 enables water (or another suitable heat-exchange fluid) to be conveyed to the spray head 1550 mounted on the piston 1510 so as to introduce a liquid spray into the lower chamber 1590. A center-drilled channel 1570 within shaft 1530 enables water to be conveyed out of the upper chamber 1580 of the cylinder 1500. A system of channels for introduction of liquid to and removal of liquid from the chambers of a pneumatic cylinder as described in the '513 application may be utilized with various embodiments of the invention.

In the illustrative embodiment shown in FIG. 15, the cylinder 1500 may compress or expand gas in either chamber and is, therefore, double-acting. For example, if the cylinder

1500 is being used to extract mechanical work from the expansion of a gas in the upper chamber 1580, the upper spray head 1540 may be used to perform liquid-gas heat exchange during the expansion, during which the piston 1510 moves downward. Similarly, the lower spray head 1550 may be used during the expansion of a gas in the lower chamber 1590, during which the piston 1510 moves upward. Whatever mode of operation is chosen, atomized sprays from the orifices of the active spray head 1540, 1550 form vertical, interacting (and/or overlapping) cylinders of falling droplets that exchange heat with substantially all of the interior of the chamber 1580, 1590 being injected with liquid. In other applications, both spray heads 1540, 1550 are employed simultaneously.

FIG. 16 is an isometric view of another illustrative embodiment of the invention in the form of a spray head 1600 configured for mounting within a vertically-oriented pneumatic cylinder having a cylindrical interior cross section. As shown in FIG. 16, the spray head 1600 has the form of a round, straight-sided torus approximately 58 cm in exterior diameter. In other embodiments it has other shapes (e.g., disc, square) and dimensions. The faceplate 1610 of the spray head 1600 contains a number of countersinks 1620 each of which houses a nozzle 1630. The nozzles 1630 are arranged in concentric rings centered on the central hole 1640 of spray head 200 such that each nozzle 1630 is approximately 7 cm from each of its six nearest neighbors. Other arrangements of nozzles 1630 may be employed, e.g., a triangular grid as depicted in FIG. 9.

The spray head 1600 may be mounted horizontally within a vertically-oriented cylinder with its faceplate 1610 facing downward at the top of a gas-filled chamber within the cylinder (such as in, e.g., cylinder assembly 102). A piston shaft typically passes snugly through the circular central opening 1640, and the lateral surface 1650 of the spray head 1600 is typically in snug contact with the cylindrical inner wall of the cylinder. The open horizontal area at the top of the cylinder chamber is preferably wholly occupied by the faceplate 1610. The spray head 1600 is primarily affixed to a cylinder by means of through-holes 1660 that enable the spray head 1600 to be bolted to the inside of the cylinder.

FIG. 17 is a plan view of the lower surface of the spray head 1600. When the spray head 1600 is installed, the hole 1640 is typically at least substantially filled with the cylinder piston rod and the lateral surface 1650 of the spray head 1600 is in contact with the interior wall of the cylinder. In this view, in one state of operation, liquid spray (not shown) is directed out of the page. As described above with reference to FIG. 11, due to air resistance, the spray droplets in the spray cone from each spray-head nozzle will travel a limited horizontal distance before beginning to fall approximately vertically (i.e., out of the page) at their terminal velocity. Each orifice therefore tends to produce a column of vertically falling droplets centered under it. In various embodiments of the invention, the nozzles 1630 are spaced so that when liquid is being injected into gas at an appropriate injection pressure, the columns of falling spray overlap or interact with each other, entirely or almost entirely filling the column of gas contained within the chamber of the cylinder and maximizing the rate of liquid-gas heat transfer.

FIG. 18 is an assembly view of spray head 1600, which as shown includes a faceplate 1610 and a base plate 1800, sealed together via inner o-ring 1810, outer o-ring 1820, and bolt o-rings 1830, and connected via a number of connecting bolts 1840. Nozzles 1630 may be threaded into tapered, countersunk holes in faceplate 1610. Water (and/or another suitable

heat-transfer fluid) is directed from an external source into the spray head 1600 via two inlet ports 1850.

FIG. 19 is an axial cross section of spray head 1600 in which the faceplate 1610 is shown edge-on. Three interconnected toroidal or ring-shaped channels 1900 (visible in cross-section) are disposed in the inner surface of the base plate 1800 and direct heat-transfer fluid from the inlet ports 1850 to the nozzles 1630. During operation of the spray head 1600, channels 1900 are typically partially or substantially filled with a pressurized liquid from an exterior source admitted through inlets in the upper end of the cylinder (not shown). When the spray head 1600 is bolted into position, o-rings within o-ring grooves 1910 seal the spray head 1600 against the inside of a cylinder.

FIG. 20 is a rear or bottom view of the spray head 1600, in which the inlet ports 1850 through base plate 1800 are clearly visible, as are the connecting bolts 1840 and the mounting through-holes 1660. Annular area 2000 is preferably smoothly polished so that o-rings in o-ring grooves 1910 seal well when spray head 1600 is mounted to the inside of a cylinder.

FIG. 21 is a cross-sectional side view of one embodiment incorporating a spray mechanism as described herein. A cylinder 2100 contains a piston 2110 that is attached to two shafts 2120, 2130 that pass through opposite ends of the cylinder 2100. One spray head 1600-1 may be mounted in the upper end of the cylinder 2100. A second spray head 1600-2 may be mounted on the lower surface of the piston 2110. Liquid may be conveyed to the upper spray head 1600-1 directly through the upper end of the cylinder. A center-drilled channel 2140 within shaft 2120 enables water to be conveyed to the spray head 1600-2 mounted on the piston 2110, thus enabling introduction of a liquid spray into the lower chamber 2150. A center-drilled channel 2160 within shaft 2130 enables water to be conveyed out of the upper chamber 2170 of the cylinder 2100. A system of channels for the introduction of liquid to and the removal of liquid from the chambers of a pneumatic cylinder as described in the '513 application may be utilized with various embodiments of the invention.

In the illustrative application shown in FIG. 21, the cylinder 2100 may compress or expand gas in either chamber and is, therefore, double-acting. For example, if the cylinder is being used to extract mechanical work from the expansion of a gas in the upper chamber 2170, the upper spray head 1600-1 may be used to perform liquid-gas heat exchange during the expansion, during which the piston 2110 moves downward. Similarly, the lower spray head 1600-2 may be used during the expansion of a gas in the lower chamber 2150, during which the piston 2110 moves upward. Whatever mode of operation is chosen, atomized sprays from the orifices of the active spray head 1600-1 and/or 1600-2 preferably form vertical, interacting (and/or overlapping) cylinders of falling droplets that exchange heat with all or nearly all of the interior of the chamber 2150 and/or 2170 being injected with liquid. In various applications, both spray heads 1600-1, 1600-2 are employed simultaneously.

Spray mechanisms (e.g., spray heads) in accordance with various embodiments of the invention may incorporate multiple individually controllable groups of nozzles (each of which may include, e.g., one or more nozzles) utilized to introduce heat-transfer fluid into a gas in order to thermally condition the gas during, e.g., expansion and/or compression of the gas. FIG. 22A depicts portions of an illustrative system 2200 that compresses and/or expands gas. System 2200 includes a cylinder 2205 (that may be vertically oriented, as shown) containing a mobile piston 2210 that divides the interior of the cylinder 2205 into a gas-filled (pneumatic) cham-

ber 2215 and a liquid-filled (hydraulic) chamber 2220. Alternatively, both chambers 2215 and 2220 may be gas-filled.

A spray head 2225 (that may share any number of characteristics with spray heads 900 and 1600 described above) holds in place a number of spray nozzles 2230, 2235 (eight nozzles are shown; only two are labeled explicitly). Two independent sets of spray nozzles are shown, namely (1) the four nozzles 2230 fed by pipe 2240 and manifold 2245, herein termed Nozzle Set 1 and depicted with cross-hatching, and (2) the four nozzles 2235 fed by pipe 2250 and manifold 2255, herein termed Nozzle Set 2 and depicted without cross-hatching. A valve 2260 controls flow of heat-exchange liquid to Nozzle Set 1 and a valve 2265 controls flow of heat-exchange liquid to Nozzle Set 2. Other embodiments are equipped with three or more independently valved nozzle sets and with any number of nozzles in each set; also, different nozzle sets may contain different nozzle types (for example, any of the nozzle types described above and/or depicted in FIG. 8) or mixtures of nozzle types. The valves 2260, 2265 may be controlled by control system 105 or may be a cracking-pressure type that allows liquid to flow into the spray head 2225 whenever the liquid input pressure exceeds a certain threshold. The valves 2260, 2265 may be identical, or of different types.

In the state of operation shown in FIG. 22A, chamber 2215 contains a quantity of gas undergoing compression. Valve 2265 is closed and valve 2260 is open. Heat-exchange liquid flows through pipe 2240, into manifold 2245, and then into the four spray nozzles 2230 of Nozzle Set 1. The heat-exchange liquid issues from Nozzle Set 1 as a spray 2270 that thermally conditions (i.e., exchanges heat with) the gas in chamber 2215. Little or no spray issues from the four spray nozzles 2235 of Nozzle Set 2. Thus, Nozzle Set 1 is "active" and Nozzle Set 2 is not.

FIG. 22B depicts the system 2200 in a state of operation different from that shown in FIG. 22A. In the state of operation depicted in FIG. 22B, the piston 2210 and rod 2275 have moved closer to the spray head 2225 than in FIG. 22A and the gas in chamber 2215 is more compressed. In this or some other state(s) of operation it may be intended that the rate of heat exchange between the gas in chamber 2215 and the heat-exchange spray 2270 be increased. As depicted in FIG. 22B, the amount of spray falling into chamber 2215 may be increased by allowing heat-exchange liquid to pass through Nozzle Set 2. In FIG. 22B, valve 2260 is open. Heat-exchange liquid flows through pipe 2240, into manifold 2245, and then into the four spray nozzles 2230 of Nozzle Set 1. Valve 2265 is also open, so that heat-exchange liquid flows through pipe 2250, into manifold 2255, and then into the four spray nozzles 2235 of Nozzle Set 2. Thus, in this state of operation, spray issues from both Nozzle Set 1 and Nozzle Set 2. In this illustrative embodiment, Nozzle Set 2 contains nozzles of a different design (e.g., being of a different type and/or having a different size and/or throughput) from those in Nozzle Set 1 and produces a spray 2280 of, e.g., heavier droplets that fall more rapidly through the gas in chamber 2215 than does the spray 2270 from Nozzle Set 1 (and/or a greater volume of droplets than is produced by Nozzle Set 1). It will be clear to any person familiar with the art of pneumatic and hydraulic cylinders that system 2200 may be operated in reverse, that is, to expand gas rather than compress it.

The use of two or more independently operable nozzle sets, as in, e.g., FIG. 22A and FIG. 22B, allows an operator to control spray quality and quantity as gas pressure in the pneumatic cylinder (e.g., 2205) varies over a single stroke or over the course of multiple piston strokes. For example, a given flow rate of liquid sprayed into a cylinder chamber for

heat transfer produces a certain rate of heat transfer (i.e., heat-transfer power) for a given spray character and initial temperature difference between the gas in the chamber and the liquid entering the chamber. If the power of a compression or expansion—that is, the rate at which the gas in the cylinder performs work on the piston, or at which the piston performs work on the gas—increases during a piston stroke, a higher flow rate of liquid may be utilized to maintain substantially isothermal compression or expansion. Under such conditions, by activating a second (or third, or fourth, etc.) set of nozzles, the higher flow rate may be achieved with the same through-nozzle pressure drop as with the lower flow rate for a single nozzle set, or at least without increasing the through-nozzle pressure drop as much as would be required by a similar increase of flow rate through a single nozzle set. Likewise, if compression or expansion power decreases, a lower flow rate of liquid may be utilized, and this may be achieved by de-activating one or more nozzle sets. Moreover, different nozzle sets may provide different spray qualities and average drop sizes for similar flow rates and pressure drops. In some instances, larger droplets may be advantageous for rapid coverage of a cylinder volume (due to their higher terminal velocity), whereas smaller droplets may be advantageous for heat transfer (due to their larger surface area). In some such instances, two or more sets of nozzles may be activated to produce a bi-modal (or multi-modal) distribution of droplet sizes, achieving both full volume coverage and rapid heat transfer in an efficient (i.e., low-pumping-power) manner.

In FIGS. 22A and 22B, Nozzle Set 1 and Nozzle Set 2 (and/or any other nozzle sets) may be individually and/or collectively controlled by control system 105 based at least in part upon the pressure within chamber 2215 and/or chamber 2220. For example, control system 105 may be responsive to a pressure sensor that measures the pressure within chamber 2215 and/or chamber 2220. The number of individually controllable nozzle sets spraying heat-transfer fluid into a chamber may be increased with increasing pressure within the chamber(s) (and vice versa) in order to more efficiently exchange heat with the gas within the chamber(s).

The system 2300 in FIG. 23 generally resembles the system 100 in FIG. 1 except for the means by which heat-exchange spray 2305 (136 in FIG. 1) is produced in an upper chamber 2310 of a cylinder 2315. System 2300 operates in accordance with embodiments of the invention described above with relation to FIGS. 22A and 22B. The operation of the cylinder 2315 in FIG. 23 may be identical to that of cylinder 2205 depicted in FIGS. 22A and 22B. In FIG. 23, valve 2320 is open and valve 2325 is closed. Valves 2320, 2325 enable heat-exchange liquid to pass through pipes 2330 and/or 2335 into at least one of the two sets of spray nozzles incorporated into spray head 2340 (which may also share any number of features with spray heads 900 and/or 1600 described above). In other embodiments, a spray rod or other contrivance for mounting the spray nozzles is employed. Heat-exchange liquid 2345 issues from Nozzle Set 1 in spray head 2340 as spray 2305 that may accumulate on the upper surface of a piston 2350. A center-drilled channel 2355 in a rod 2360 enables the heat-exchange liquid 2345 to be withdrawn through a flexible hose 2365 and through a pipe 2370 to a pump 2375 (which may be similar or identical to pump 124 described above with reference to FIG. 1). In other embodiments, alternate techniques of conducting the heat-exchange liquid 2345 to pump 2370 are employed, such as internal piping as described in U.S. Provisional Patent Application No. 61/384,814, filed Sep. 21, 2010, the entire disclosure of which is incorporated by reference herein. Exiting the

pump 2375, the heat-exchange liquid is preferably conveyed by a pipe 2380 to a heat exchanger 2385 where its temperature may be altered (e.g., to maintain the heat-exchange liquid at a substantially constant desired temperature as it enters cylinder 2315). Exiting the heat exchanger 2385, the heat-exchange liquid enters pipes 2330 and 2335. In the state of operation depicted in FIG. 23, liquid is prevented from flowing through pipe 2335 because valve 2325 is closed. In another state of operation (not shown), valves 2320 and 2325 are both open and spray head 2340 produces spray from multiple sets of nozzles, e.g., in the manner depicted for spray head 2225 in FIG. 22B. It will be clear to any person familiar with the art of pneumatic and hydraulic cylinders that system 2300 may be operated in reverse, that is, to expand gas rather than compress it.

The pneumatic cylinders shown herein may be outfitted with an external gas heat exchanger instead of or in addition to liquid sprays. An external gas heat exchanger may also allow expedited heat transfer to or from the high-pressure gas being expanded (or compressed) in the cylinders. Such methods and systems for isothermal gas expansion (or compression) using an external heat exchanger are shown and described in the '426 patent.

Generally, the systems described herein may be operated in both an expansion mode and in the reverse compression mode as part of a full-cycle energy storage system with high efficiency. For example, the systems may be operated as both compressor and expander, storing electricity in the form of the potential energy of compressed gas and producing electricity from the potential energy of compressed gas. Alternatively, the systems may be operated independently as compressors or expanders.

The terms and expressions employed herein are used as terms of description and not of limitation, and there is no intention, in the use of such terms and expressions, of excluding any equivalents of the features shown and described or portions thereof, but it is recognized that various modifications are possible within the scope of the invention claimed.

What is claimed is:

1. A compressed-gas energy storage and recovery system comprising:
  - a cylinder assembly comprising a first pneumatic chamber for compressing gas to store energy and expanding gas to recover energy and a second pneumatic chamber, separated from the first pneumatic chamber;
  - selectively fluidly connected to the first chamber, (i) a compressed-gas reservoir for storage of gas after compression and supply of compressed gas for expansion thereof, and (ii) a vent for exhausting expanded gas to atmosphere and supply of gas for compression thereof;
  - a spray mechanism for introducing heat-transfer fluid within the first chamber of the cylinder assembly to exchange heat with gas therein, thereby increasing efficiency of the energy storage and recovery, the spray mechanism comprising a plurality of nozzles for collectively producing an aggregate spray filling substantially an entire volume of the first chamber; and
  - a circulation apparatus for circulating the heat-transfer fluid to the spray mechanism,
- wherein the aggregate spray comprises a plurality of overlapping individual sprays each produced by one of the plurality of nozzles.
2. The system of claim 1, wherein each individual spray is an atomized spray of individual droplets.
3. The system of claim 2, wherein the individual droplets have an average diameter ranging from approximately 0.2 mm to approximately 1 mm.

4. The system of claim 1, wherein the plurality of nozzles maintains a Weber value of gas within the chamber of at least 40.

5. The system of claim 1, wherein each nozzle maintains a pressure drop thereacross of less than approximately 50 psi.

6. The system of claim 1, wherein at least one nozzle has a divergent cross-sectional profile.

7. The system of claim 1, wherein at least one nozzle comprises a mechanism for breaking up a flow of heat-transfer fluid therethrough.

8. The system of claim 7, wherein the mechanism comprises at least one of a plurality of vanes or a corkscrew.

9. The system of claim 1, wherein the spray mechanism comprises an interior channel for transmitting heat-transfer fluid from a source external to the cylinder assembly to the plurality of nozzles.

10. The system of claim 1, further comprising, connected to the cylinder assembly, an intermittent renewable energy source of wind or solar energy, wherein (i) energy stored during compression of gas originates from the intermittent renewable energy source, and (ii) energy is recovered via expansion of gas when the intermittent renewable energy source is nonfunctional.

11. The system of claim 1, wherein the spray mechanism comprises at least one of a spray head or a spray rod.

12. The system of claim 1, further comprising a heat exchanger for maintaining the heat-transfer fluid at a substantially constant temperature, wherein the circulation apparatus circulates heat-transfer fluid from the cylinder assembly through the heat exchanger and back to the cylinder assembly.

13. A compressed-gas energy storage and recovery system comprising:

a cylinder assembly comprising a chamber for compressing gas to store energy and expanding gas to recover energy;

selectively fluidly connected to the chamber, (i) a compressed-gas reservoir for storage of gas after compression and supply of compressed gas for expansion thereof, and (ii) a vent for exhausting expanded gas to atmosphere and supply of gas for compression thereof;

a spray mechanism for introducing heat-transfer fluid within the chamber of the cylinder assembly to exchange heat with gas therein, thereby increasing efficiency of the energy storage and recovery, the spray mechanism comprising a plurality of nozzles for collectively producing an aggregate spray filling substantially an entire volume of the chamber;

a control system for controlling the introduction of heat-transfer fluid into the chamber such that the compression and expansion of gas is substantially isothermal; and

a circulation apparatus for circulating the heat-transfer fluid to the spray mechanism,

wherein the aggregate spray comprises a plurality of overlapping individual sprays each produced by one of the plurality of nozzles.

14. The system of claim 1, wherein the plurality of nozzles is organized into at least two nozzle groups, at least one nozzle group not being active during a portion of a single cycle of compression or expansion.

15. The system of claim 1, further comprising:  
a movable piston separating the first chamber from the second chamber within the cylinder assembly; and  
a piston rod connected to the movable piston,  
wherein the piston and piston rod define a fluid passageway selectively fluidly connected to the circulation apparatus.

16. The system of claim 1, further comprising a reservoir of heat-transfer fluid fluidly connected to the circulation apparatus, the reservoir of heat-transfer fluid containing an additive reducing surface tension of the heat-transfer fluid.

17. The system of claim 1, further comprising a control system for controlling the introduction of heat-transfer fluid into the first chamber such that the compression and expansion of gas is substantially isothermal.

18. The system of claim 13, wherein the chamber is a pneumatic chamber separated from a hydraulic chamber in the cylinder assembly.

19. The system of claim 1, wherein the spray mechanism occupies approximately an entire top surface of the first chamber.

20. A compressed-gas energy storage and recovery system comprising:

a cylinder assembly comprising a first chamber for compressing gas to store energy and expanding gas to recover energy and a second chamber;

selectively fluidly connected to the first chamber, (i) a compressed-gas reservoir for storage of gas after compression and supply of compressed gas for expansion thereof, and (ii) a vent for exhausting expanded gas to atmosphere and supply of gas for compression thereof;

a spray mechanism for introducing heat-transfer fluid within the first chamber and second chamber of the cylinder assembly to exchange heat with gas therein, thereby increasing efficiency of the energy storage and recovery, the spray mechanism comprising a plurality of nozzles disposed in the first chamber and second chamber for collectively producing an aggregate spray filling substantially an entire volume of the chambers; and

a circulation apparatus for circulating the heat-transfer fluid to the spray mechanism,

wherein the aggregate spray comprises a plurality of overlapping individual sprays each produced by one of the plurality of nozzles.

\* \* \* \* \*